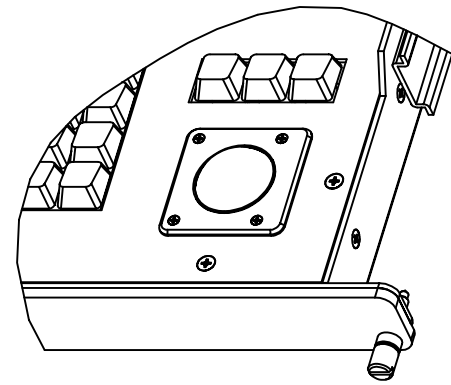
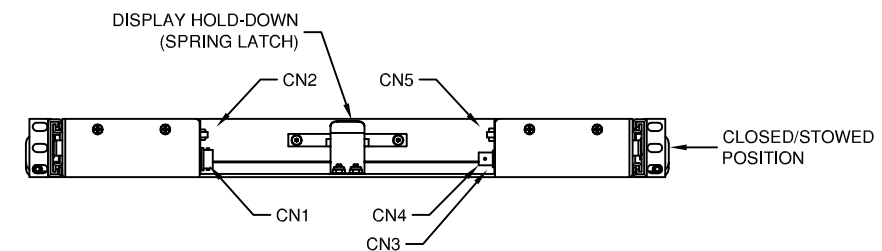
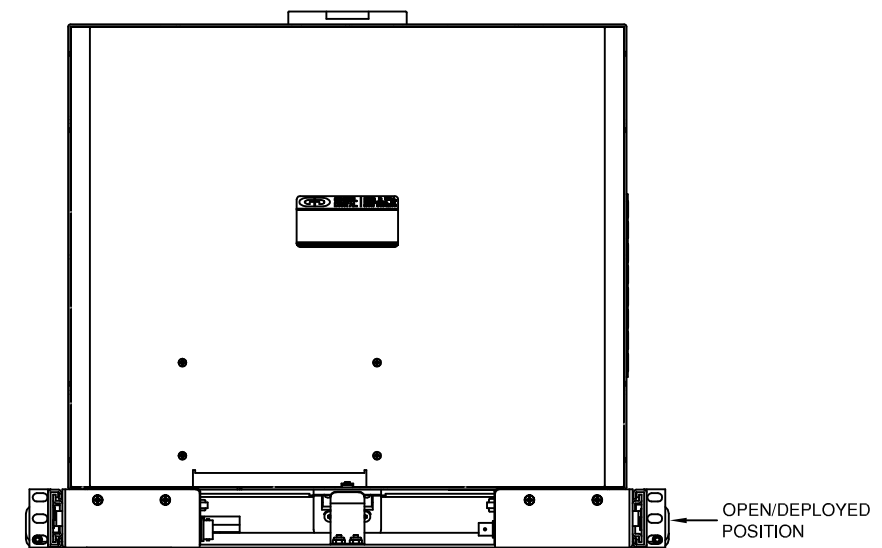
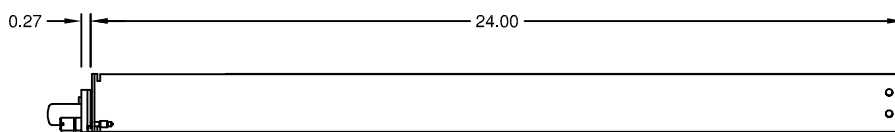
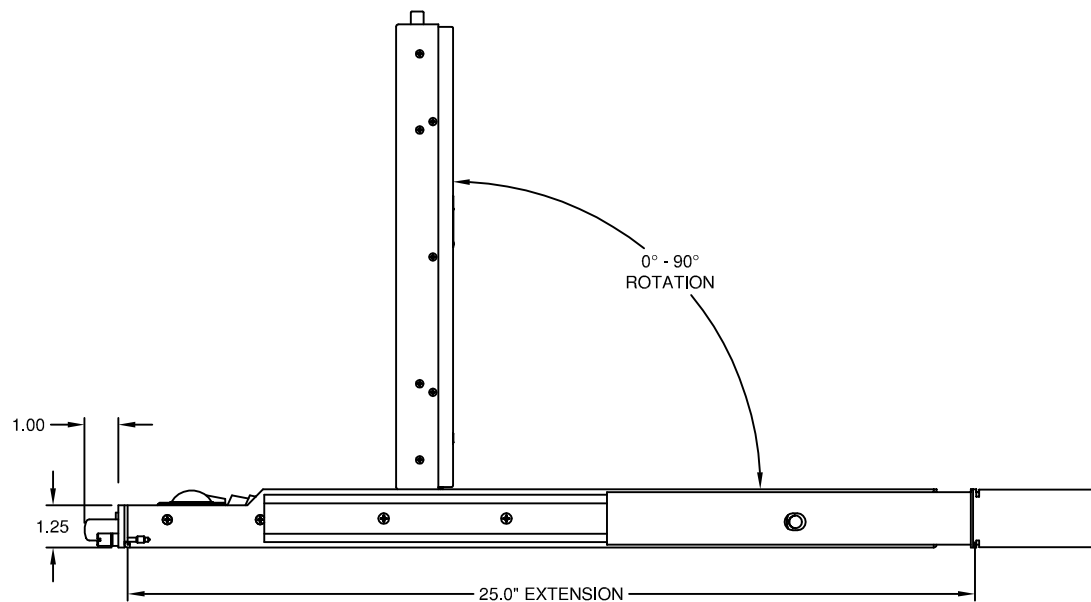
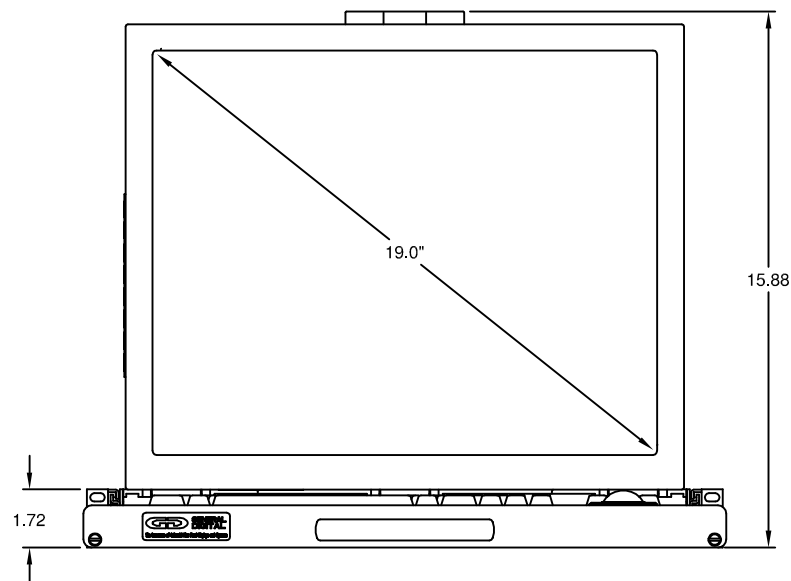
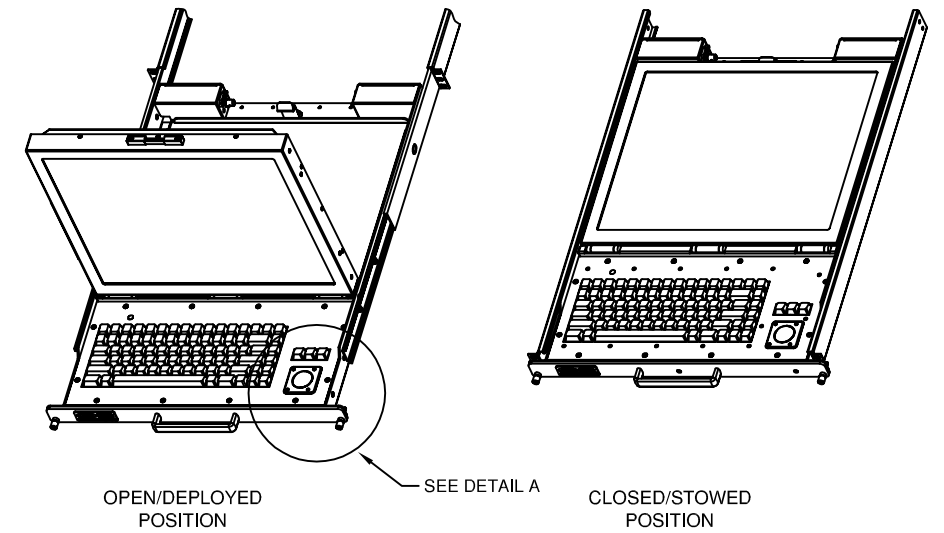
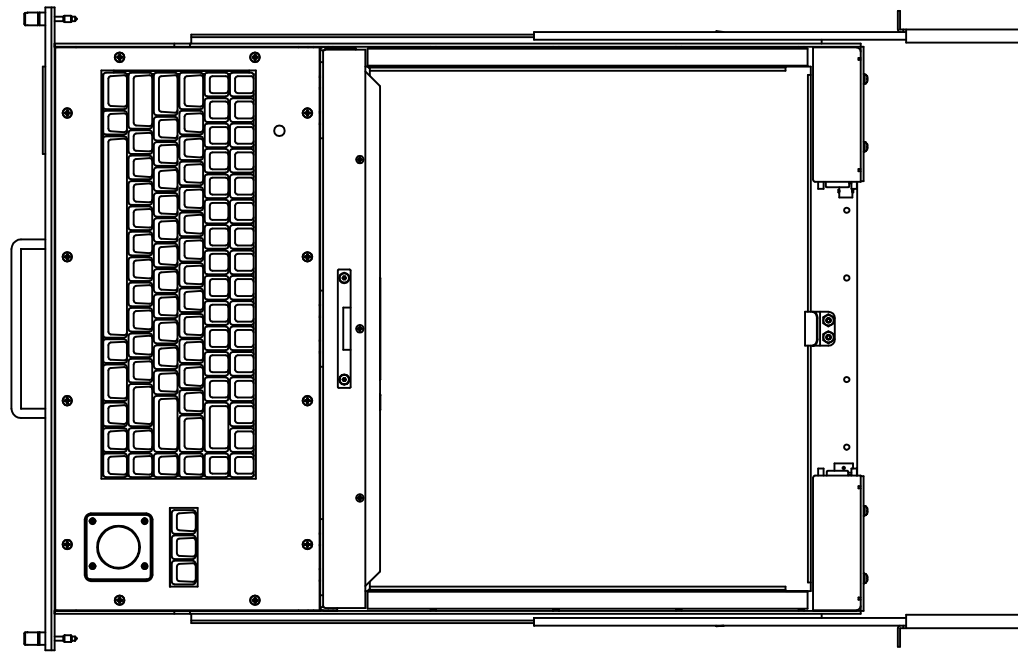


THIS DOCUMENT CONTAINS PROPRIETARY INFORMATION OF GENERAL DIGITAL AND IS NOT TO BE DISCLOSED, REPRODUCED OR PUBLISHED WITHOUT WRITTEN CONSENT FROM GENERAL DIGITAL. THIS DOCUMENT MUST BE RENDERED ILLEGIBLE WHEN BEING DISCARDED. © COPYRIGHT 2004. ALL RIGHTS RESERVED.

SL1-19W-702-dd-ee-02-gg-0092



DETAIL A



CONNECTOR CHART			MECHANICAL OUTLINE ONLY. SPECIFICATIONS SUBJECT TO CHANGE WITHOUT NOTICE. U.O.S. ALL DIMENSIONS ARE IN INCHES.	
DESIGNATION	FUNCTION	TYPE	APPROVALS	DATE
CN1	+12 VDC INPUT	6-PIN HIROSE	DRAWN	19-May-04
CN2	ANALOG VIDEO INPUT	DE-15-S	C.P.	19-May-04
CN3	AUDIO INPUT	3.5mm STEREO	CHECKED	19-May-04
CN4	COMPOSITE VIDEO INPUT	BNC STYLE	APPROVED	19-May-04
CN5	KEYBOARD INPUT	DE-9	B.G.	19-May-04
DO NOT SCALE DRAWING				



The Innovators of Flat Panel Technology
 8 Nutmeg Road South, South Windsor, CT 06074
 (860) 282-2900 www.GeneralDigital.com

SlinLine 1U
 19.0" SXGA FLAT PANEL MONITOR

B	CAGE CODE	DWG. NO.	REV
	1JA77	04-10	A