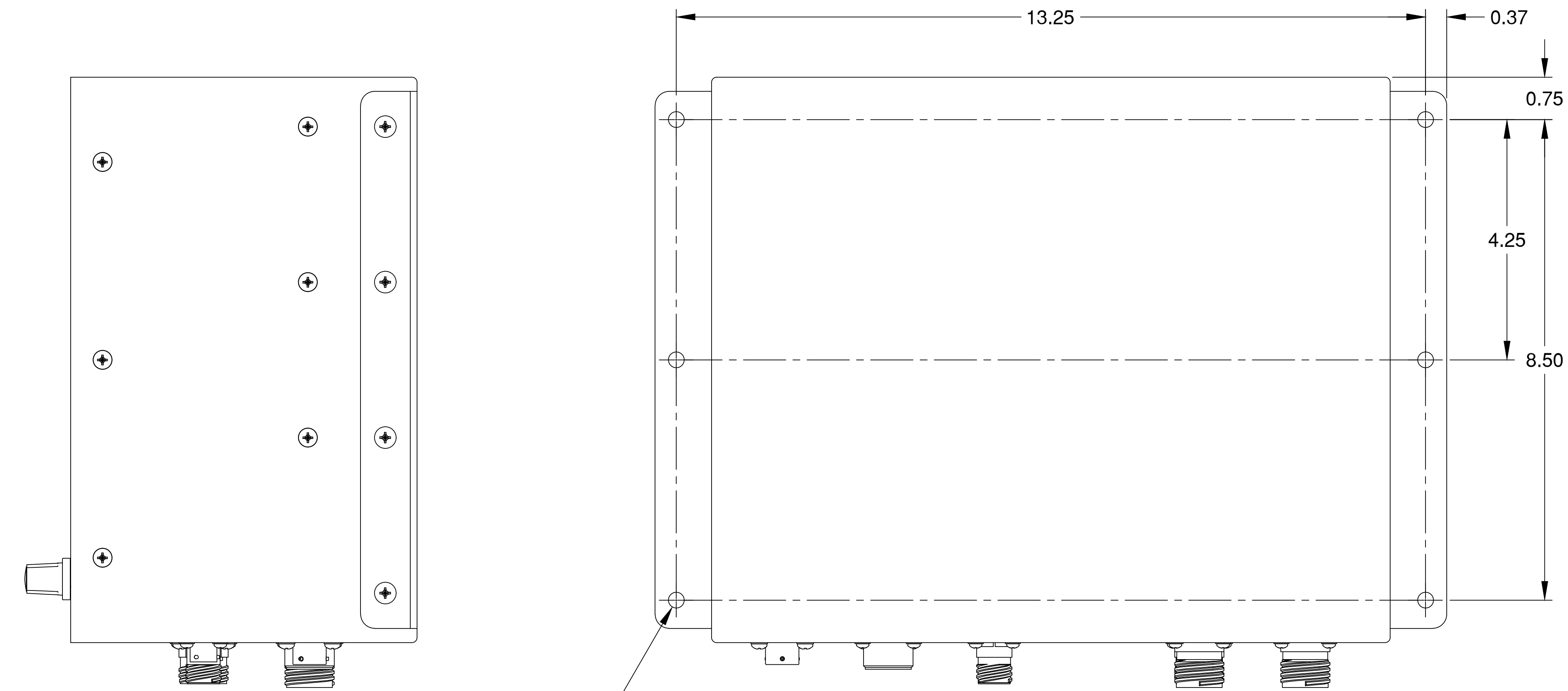
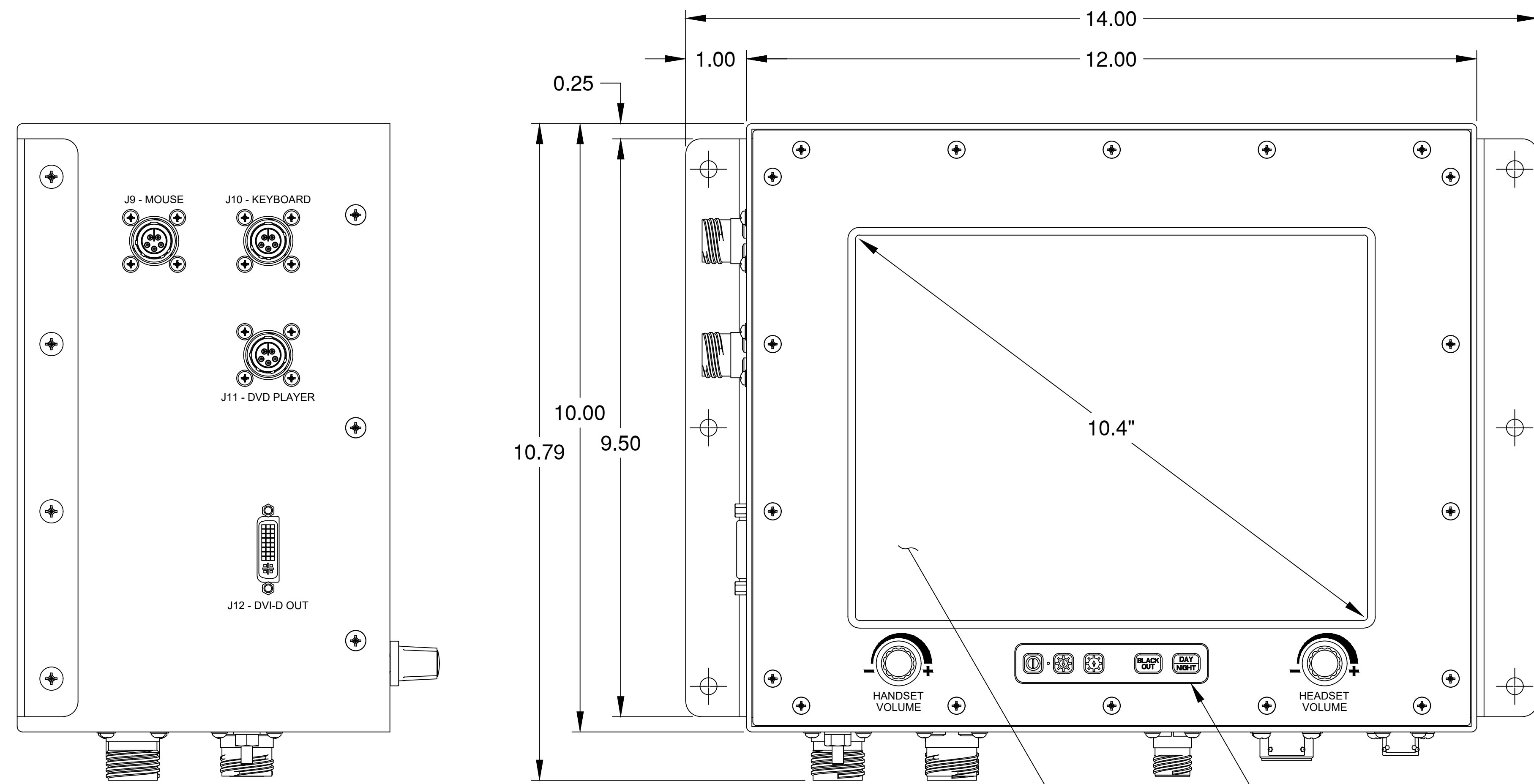


CUSTOMER APPROVAL

90-7104-011

COMPANY	NAME (PRINT)
DATE	SIGNATURE

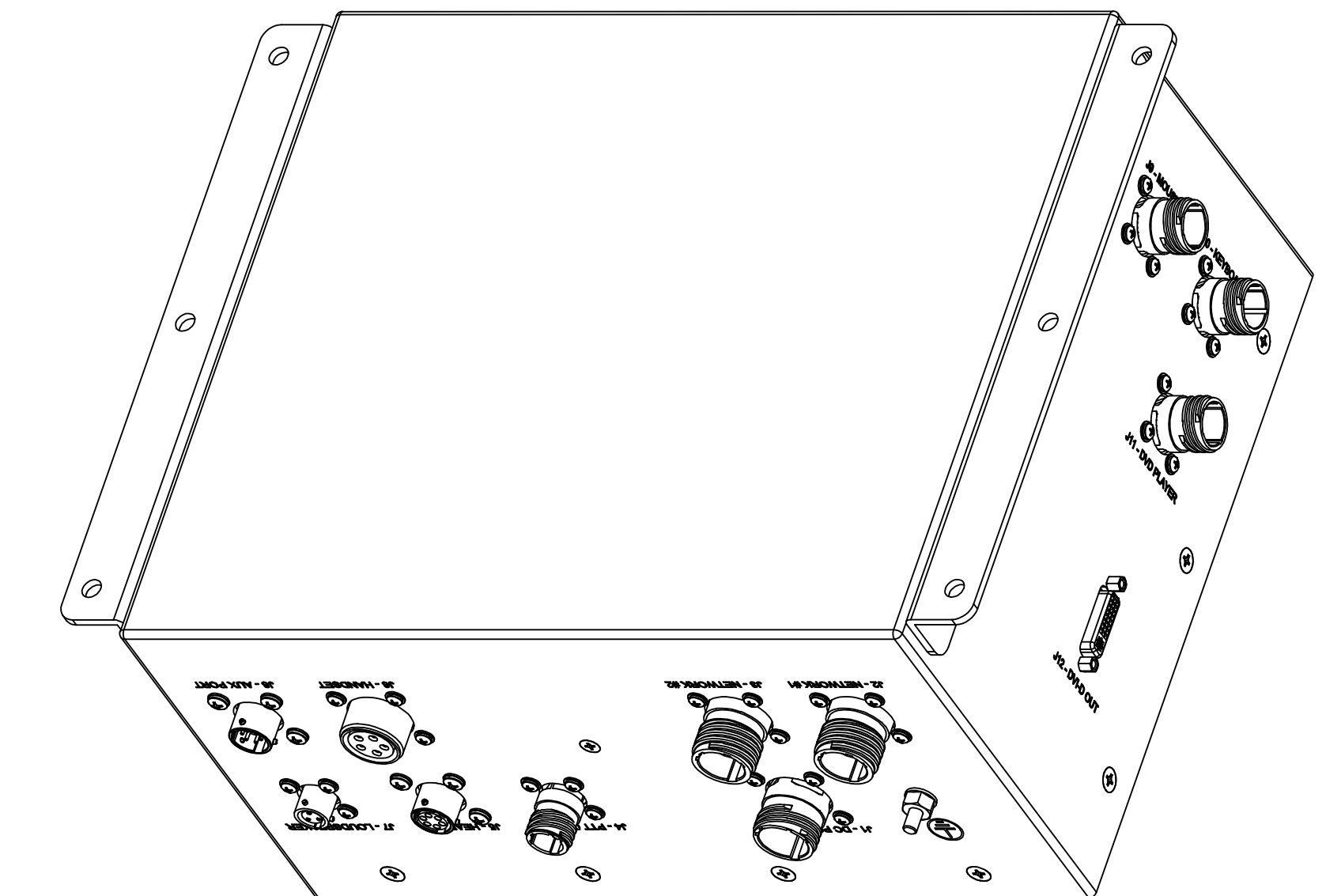
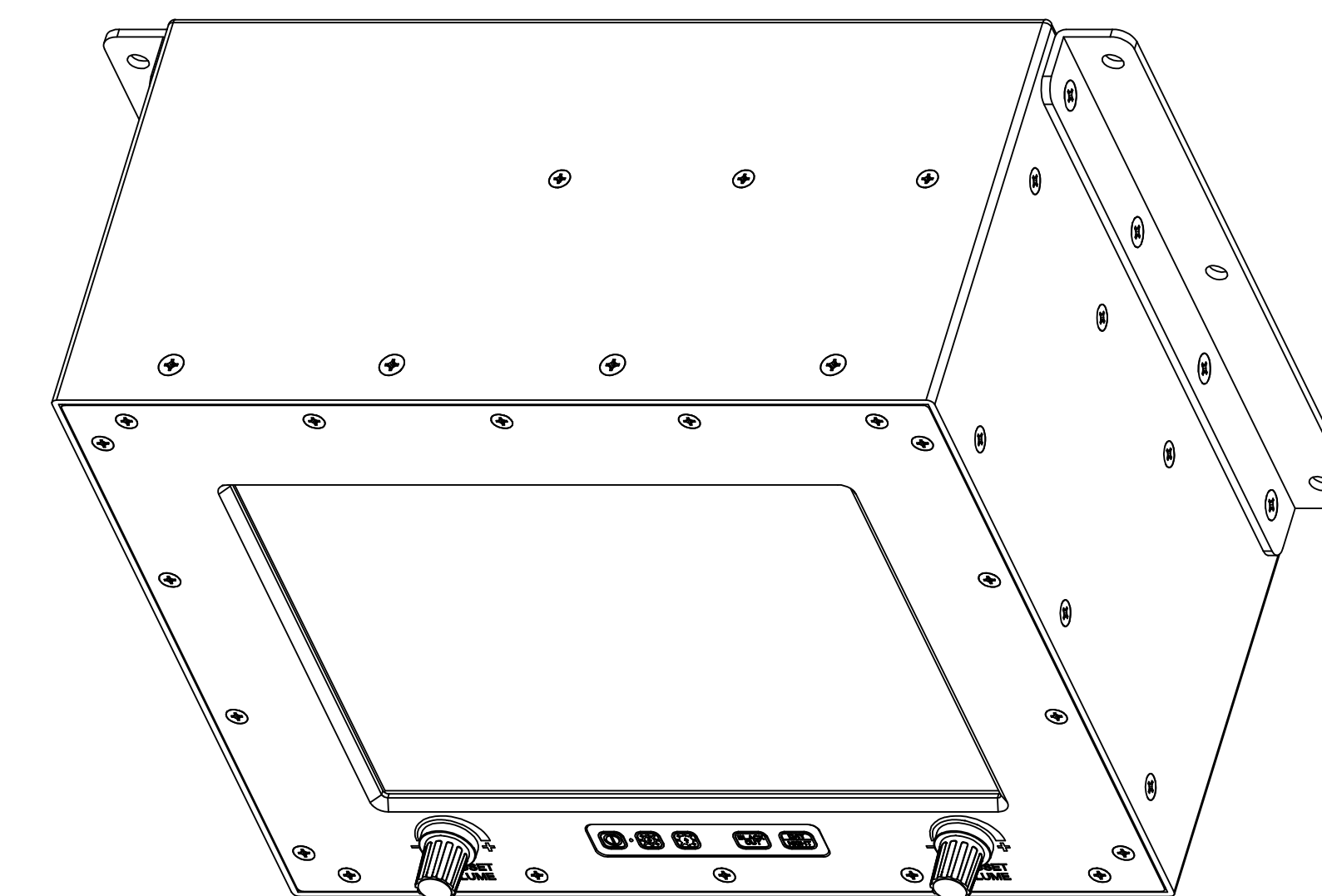
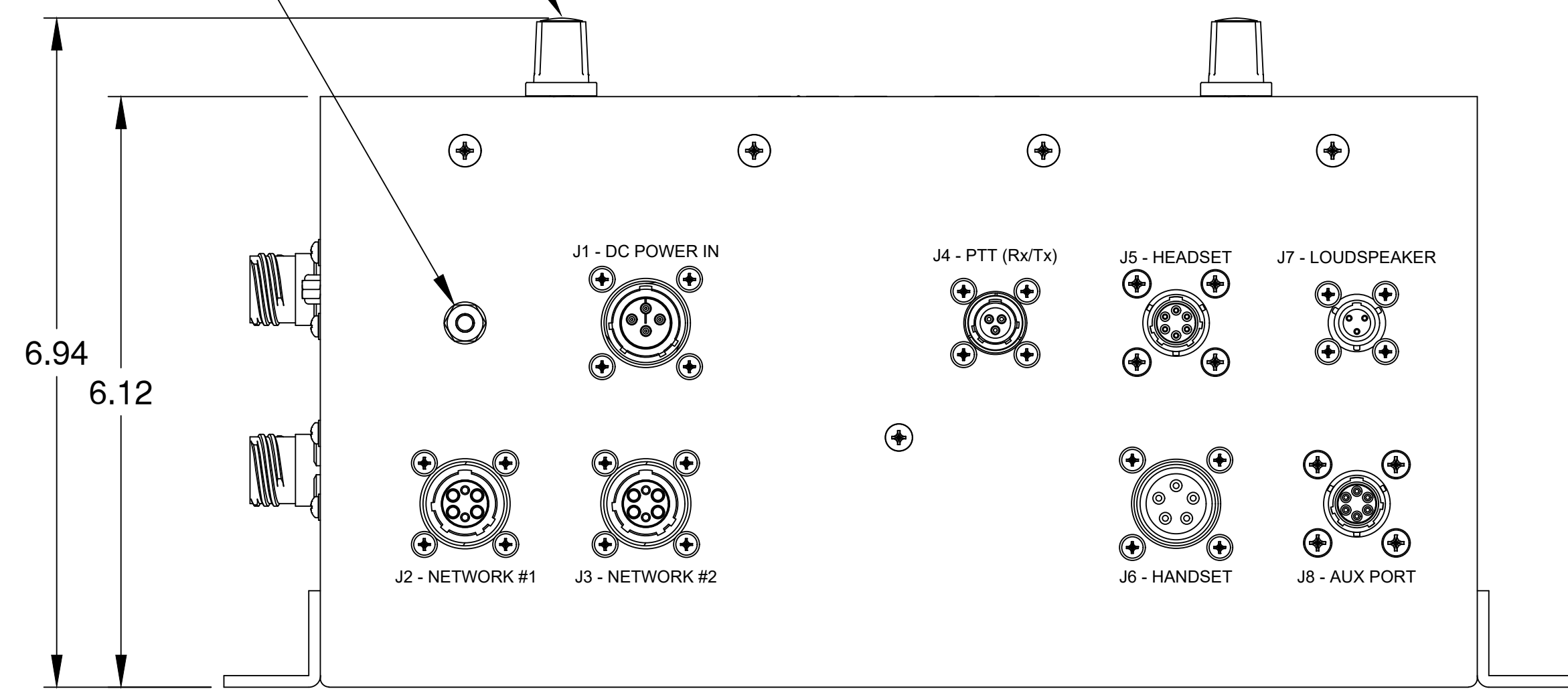


VOLUME CONTROL KNOB:
(X1) EACH FOR HANDSET & HEADSET

GROUND STUD:
#10-32 UNF-2A X 0.50

OVERLAY:
5-WIRE RESISTIVE TOUCH SENSOR
W/ LAMINATED EMI SHIELD

MOUNTING HOLES:
Ø0.28 THRU (X6)



THIS DOCUMENT CONTAINS PROPRIETARY INFORMATION OF GENERAL DIGITAL AND IS NOT TO BE DISCLOSED, REPRODUCED OR PUBLISHED WITHOUT WRITTEN CONSENT FROM GENERAL DIGITAL. THIS DOCUMENT MUST BE RENDERED ILLEGIBLE WHEN BEING DISCARDED. © COPYRIGHT 2022. ALL RIGHTS RESERVED.

UNLESS OTHERWISE SPECIFIED DIMENSIONS ARE IN INCHES TOLERANCES ARE:
FRACTIONS DECIMALS ANGLES
±1/32 .X ±.050 ±0° 30'
.XX ±.031
.XXX±.020

CONNECTOR CHART		
DESIGNATION	FUNCTION	TYPE
J1	+24VDC INPUT	D38999/20WC4PN
J2	NETWORK INTERFACE #1	M28876/1B1S1
J3	NETWORK INTERFACE #2	M28876/1B1S1
J4	PTT (Rx/Tx) INPUT / OUTPUT	D38999/20WA98PN
J5	HEADSET INPUT / OUTPUT	MS3472W10-6S
J6	HANDSET INPUT / OUTPUT	MS3100A14S-5S
J7	LOUDSPEAKER OUTPUT	MS3112E8-3S
J8	AUXILIARY PORT	MS3472W10-6P
J9	MOUSE (USB) INPUT	D38999/20WB5PN
J10	KEYBOARD (USB) INPUT	D38999/20WB5PA
J11	DVD PLAYER (USB) INPUT	D38999/20WB5PB
J12	DVI-I OUTPUT	DVI-I SOCKET

MECHANICAL OUTLINE ONLY. SPECIFICATIONS SUBJECT TO CHANGE WITHOUT NOTICE. U.O.S. ALL DIMENSIONS ARE IN INCHES.	
APPROVALS	DATE
DRAWN G.L.	11-Aug-22
CHECKED J.H.	
APPROVED S.B.	
DO NOT SCALE DRAWING	



60 Prestige Park Road, East Hartford, CT 06108
(860) 282-2900 www.GeneralDigital.com

SR/NVIS COMMUNICATION BOX
10.4" XGA MONITOR

REV	DATE	ECN	DESCRIPTION	BY

B	CAGE CODE	DWG. NO.	REV
	1JA77	7104-011-97	-