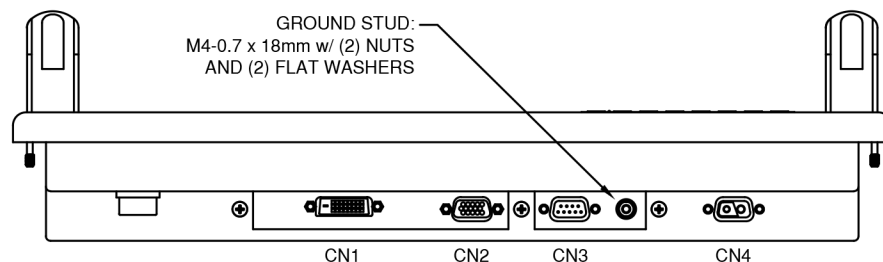
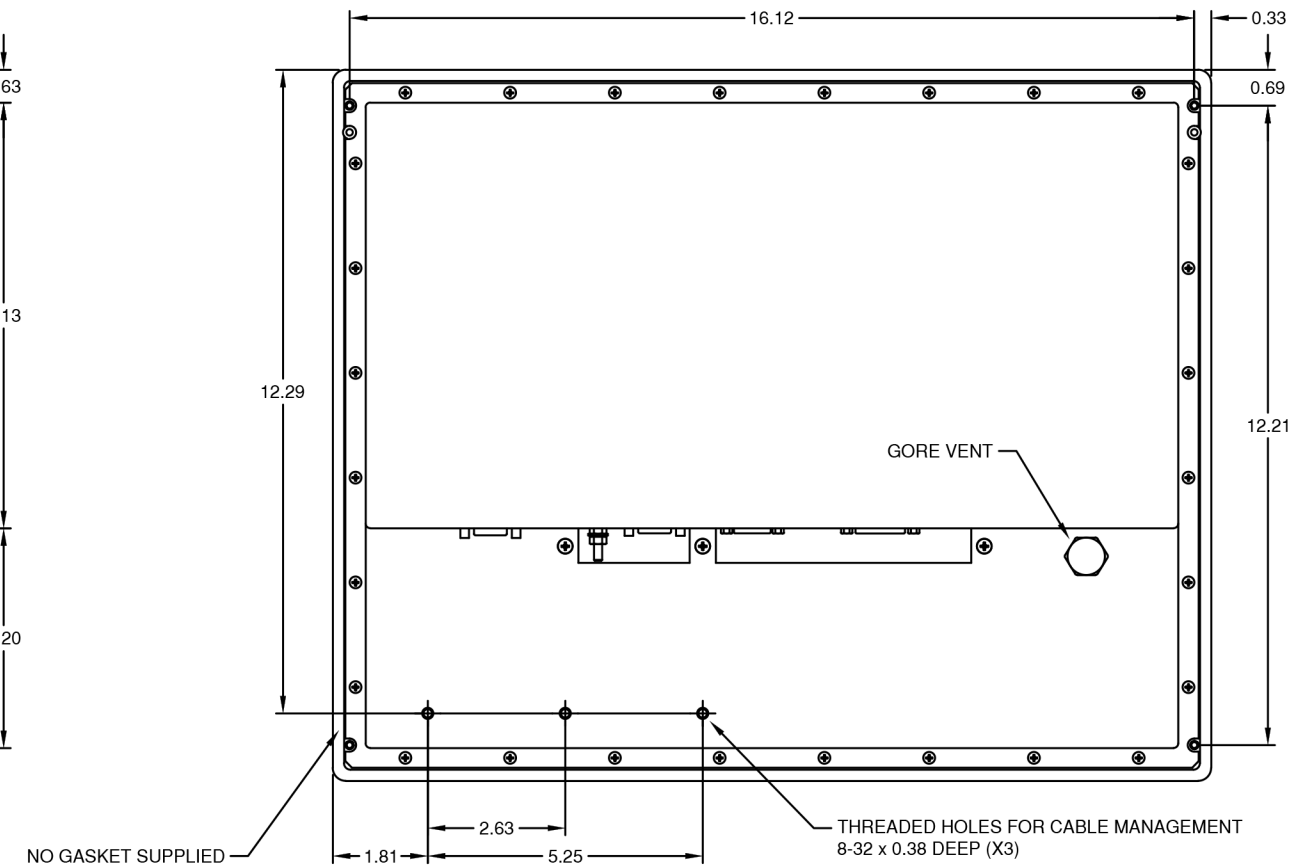
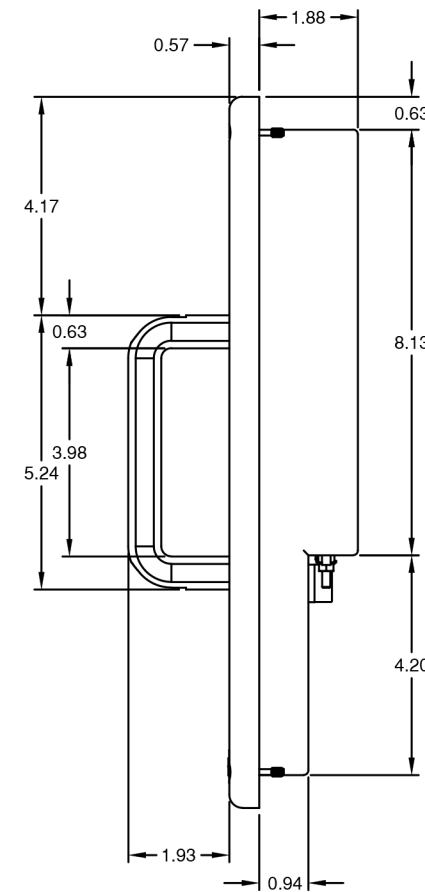


OVERLAY: 3mm EMI SHIELDED GLASS WITH ANTI-REFLECTIVE FRONT SURFACE
8-BUTTON KEYPAD



THIS DOCUMENT CONTAINS PROPRIETARY INFORMATION OF GENERAL DIGITAL AND IS NOT TO BE DISCLOSED, REPRODUCED OR PUBLISHED WITHOUT WRITTEN CONSENT FROM GENERAL DIGITAL. THIS DOCUMENT MUST BE RENDERED ILLEGIBLE WHEN BEING DISCARDED. © COPYRIGHT 2019. ALL RIGHTS RESERVED.

UNLESS OTHERWISE SPECIFIED DIMENSIONS ARE IN INCHES TOLERANCES ARE:
FRACTIONS DECIMALS ANGLES
±1/32 .X ±.050 ±0° 30'
.XX ±.031
.XXX±.020

CONNECTOR CHART

DESIGNATION	FUNCTION	TYPE
CN1	DVI INPUT	DVI-D
CN2	ANALOG VIDEO INPUT	DE-15-S
CN3	PROGRAMMING PORT	DE-9-S
CN4	+12 VDC INPUT	DE-2W2-S

MECHANICAL OUTLINE ONLY. SPECIFICATIONS SUBJECT TO CHANGE WITHOUT NOTICE. U.O.S. ALL DIMENSIONS ARE IN INCHES.

APPROVALS		DATE
DRAWN	C.P.	26-Sep-19
CHECKED	S.B.	26-Sep-19
APPROVED	J.H.	26-Sep-19

DO NOT SCALE DRAWING



60 Prestige Park Road, East Hartford, CT 06108
860.282.2900 www.GeneralDigital.com

SABER PANEL MOUNT 901D
17.0" SXGA LED FLAT PANEL MONITOR

CAGE CODE	DWG. NO.	REV
B 1JA77	3170-008-97	-