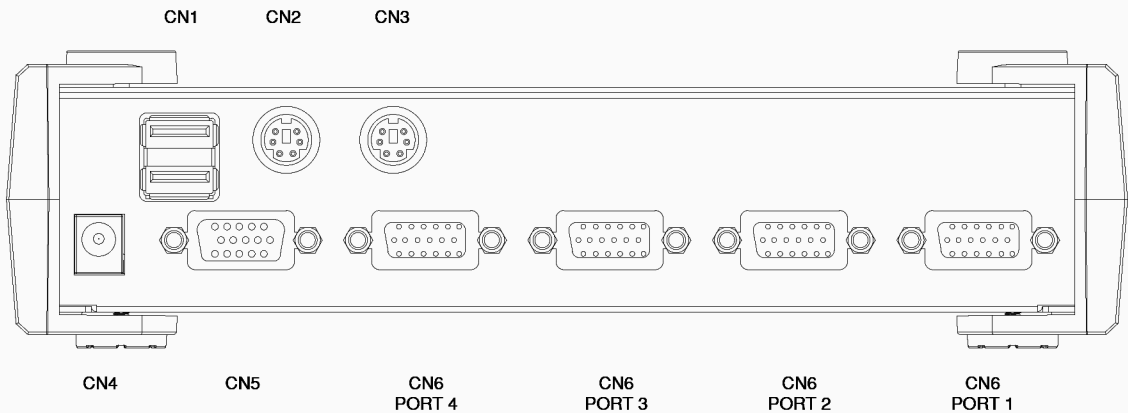
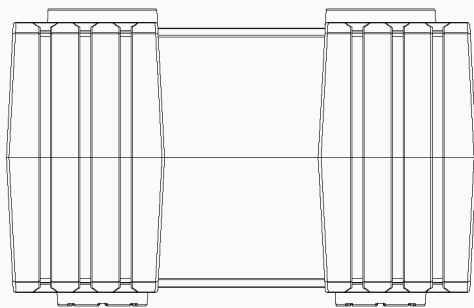
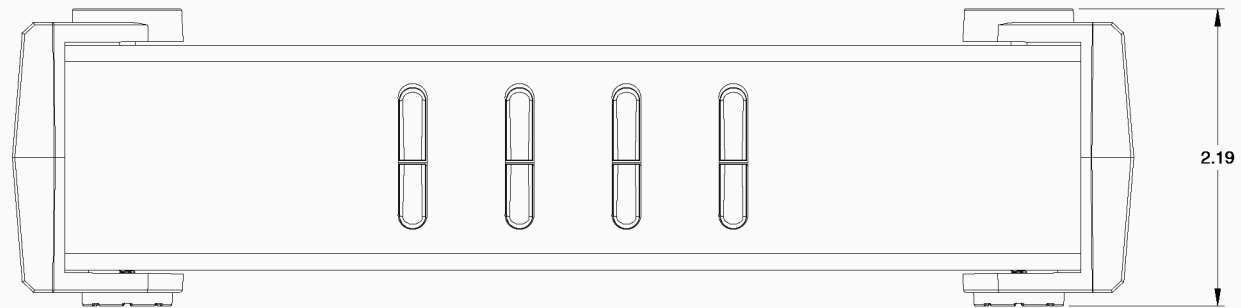
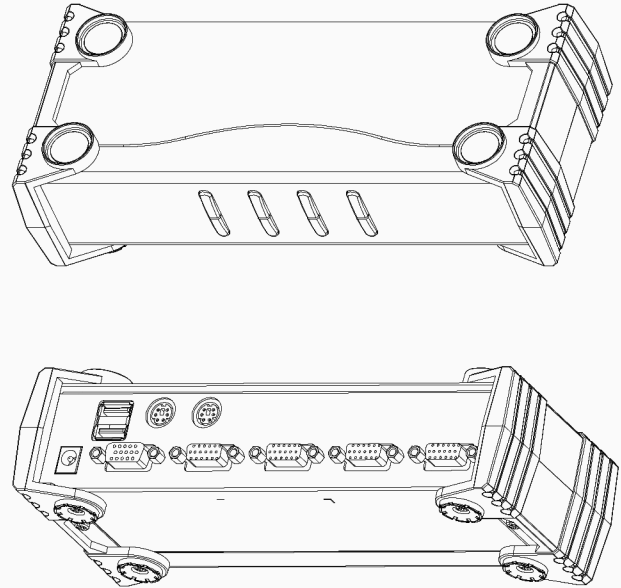
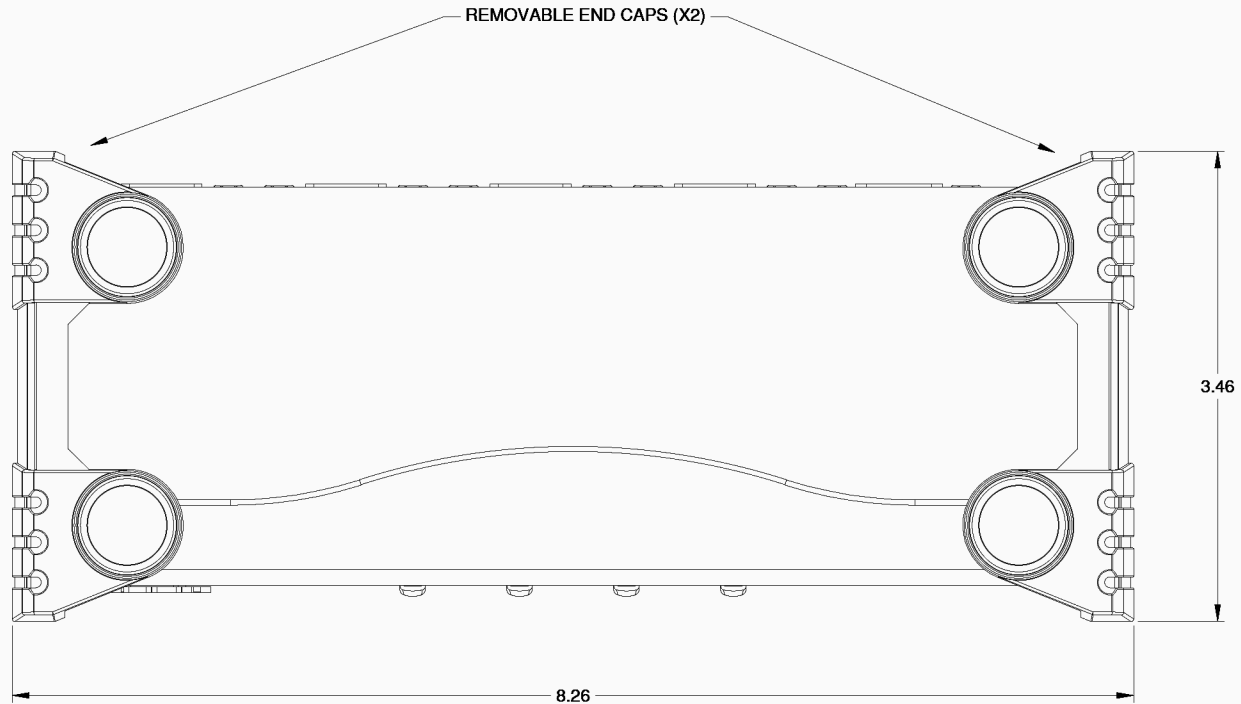


# KVM SWITCH, 4-PORT

90-1305-005



**ACCESSORIES:** (SUPPLIED WITH KVM)  
 POWER SUPPLY  
 1.2M CABLE (X2)  
 1.8M CABLE (X2)  
 USER'S MANUAL

**NOTE: KVM CHASSIS AND ELECTRICAL GROUNDS ARE SEPERATED.**

THIS DOCUMENT CONTAINS PROPRIETARY INFORMATION OF GENERAL DIGITAL AND IS NOT TO BE DISCLOSED, REPRODUCED OR PUBLISHED WITHOUT WRITTEN CONSENT FROM GENERAL DIGITAL. THIS DOCUMENT MUST BE RENDERED ILLEGIBLE WHEN BEING DISCARDED. © COPYRIGHT 2019. ALL RIGHTS RESERVED.

UNLESS OTHERWISE SPECIFIED DIMENSIONS ARE IN INCHES  
 TOLERANCES ARE:  
 FRACTIONS DECIMALS ANGLES  
 ±1/32 .X ±.050 ±0° 30'  
 .XX ±.031  
 .XXX±.020

CONNECTOR CHART		
DESIGNATION	FUNCTION	TYPE
CN1	USB MOUSE/KEYBOARD INPUTS (X2)	USB TYPE A
CN2	PS/2 MOUSE INPUT (GREEN)	6-PIN MINI DIN
CN3	PS/2 KEYBOARD INPUT (PURPLE)	6-PIN MINI DIN
CN4	+5 VDC INPUT	BARREL JACK
CN5	ANALOG VIDEO INPUT (BLUE)	HDB-15-S
CN6	KVM PORTS (YELLOW) (X4)	SPHD-18-S

MECHANICAL OUTLINE ONLY. SPECIFICATIONS SUBJECT TO CHANGE WITHOUT NOTICE. U.O.S. ALL DIMENSIONS ARE IN INCHES.

APPROVALS		DATE
DRAWN	C.P.	13-Sep-19
CHECKED	S.B.	13-Sep-19
APPROVED	J.H.	13-Sep-19

**DO NOT SCALE DRAWING**

**GD GENERAL DIGITAL**  
*Engineering What's Next*  
 60 Prestige Park Road, East Hartford, CT 06108  
 860.282.2900 www.GeneralDigital.com

**KVM SWITCH  
 4 PORT w/ISOLATED GROUND**

<b>B</b>	CAGE CODE	DWG. NO.	REV
	1JA77	1305-005-97	-