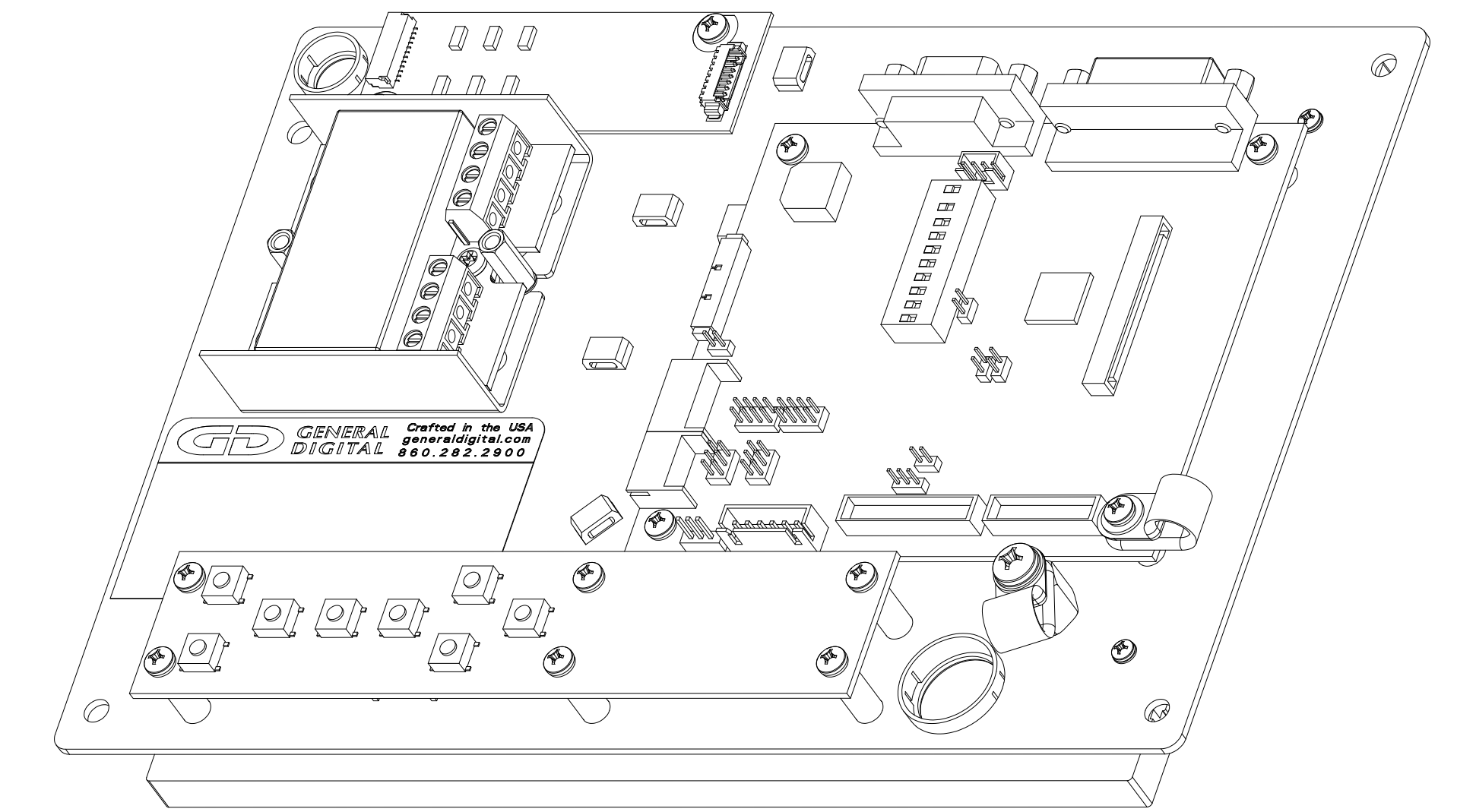
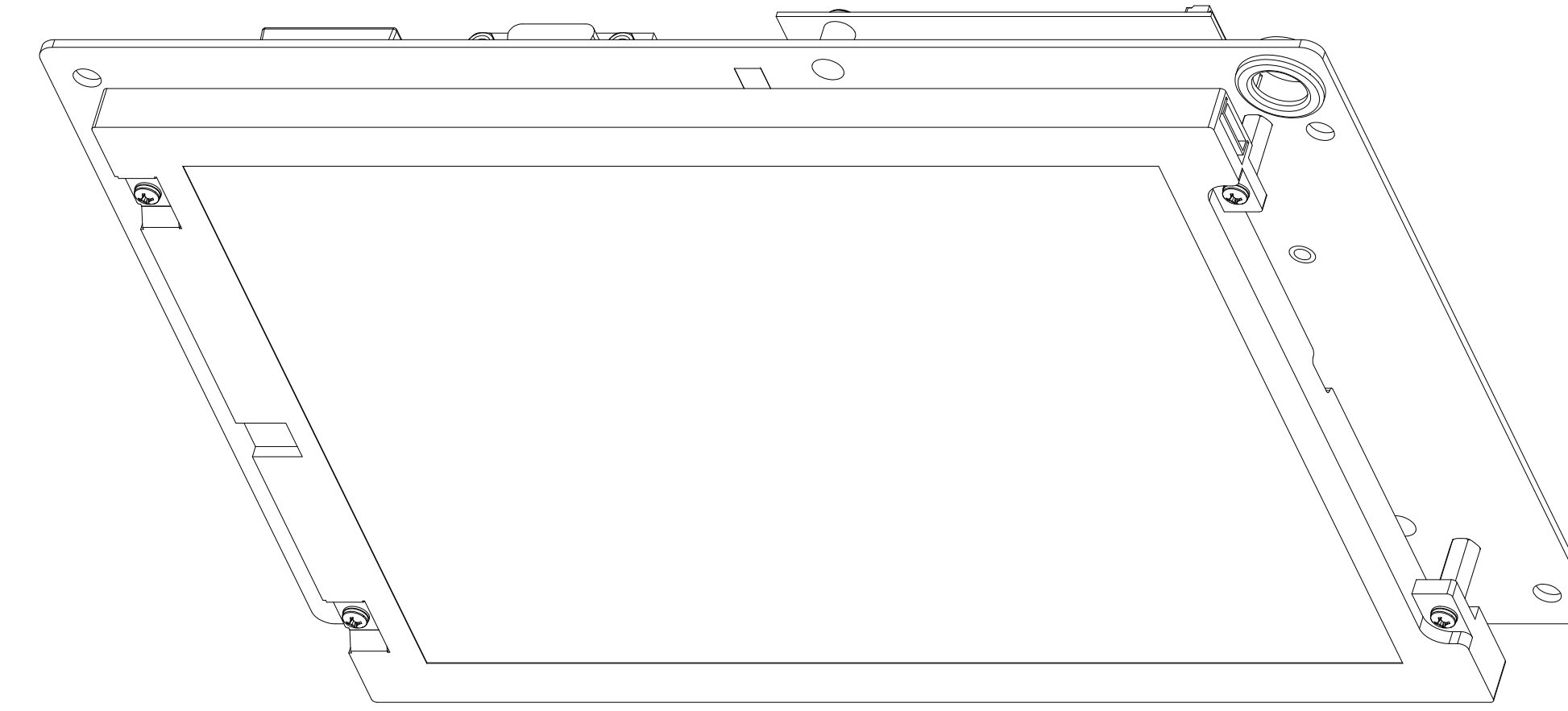
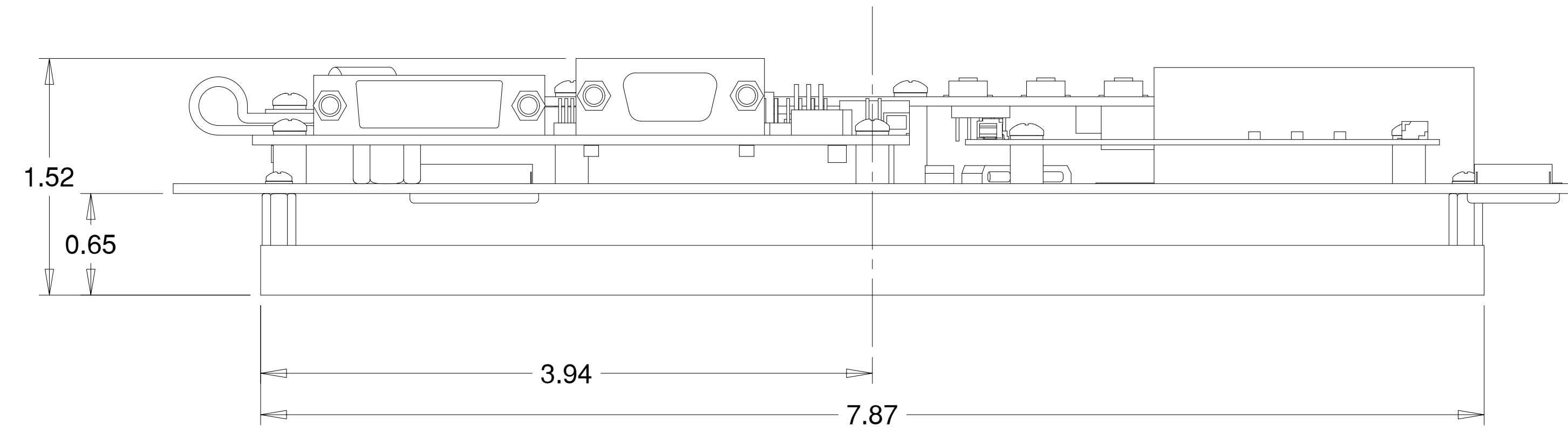


# CUSTOMER APPROVAL

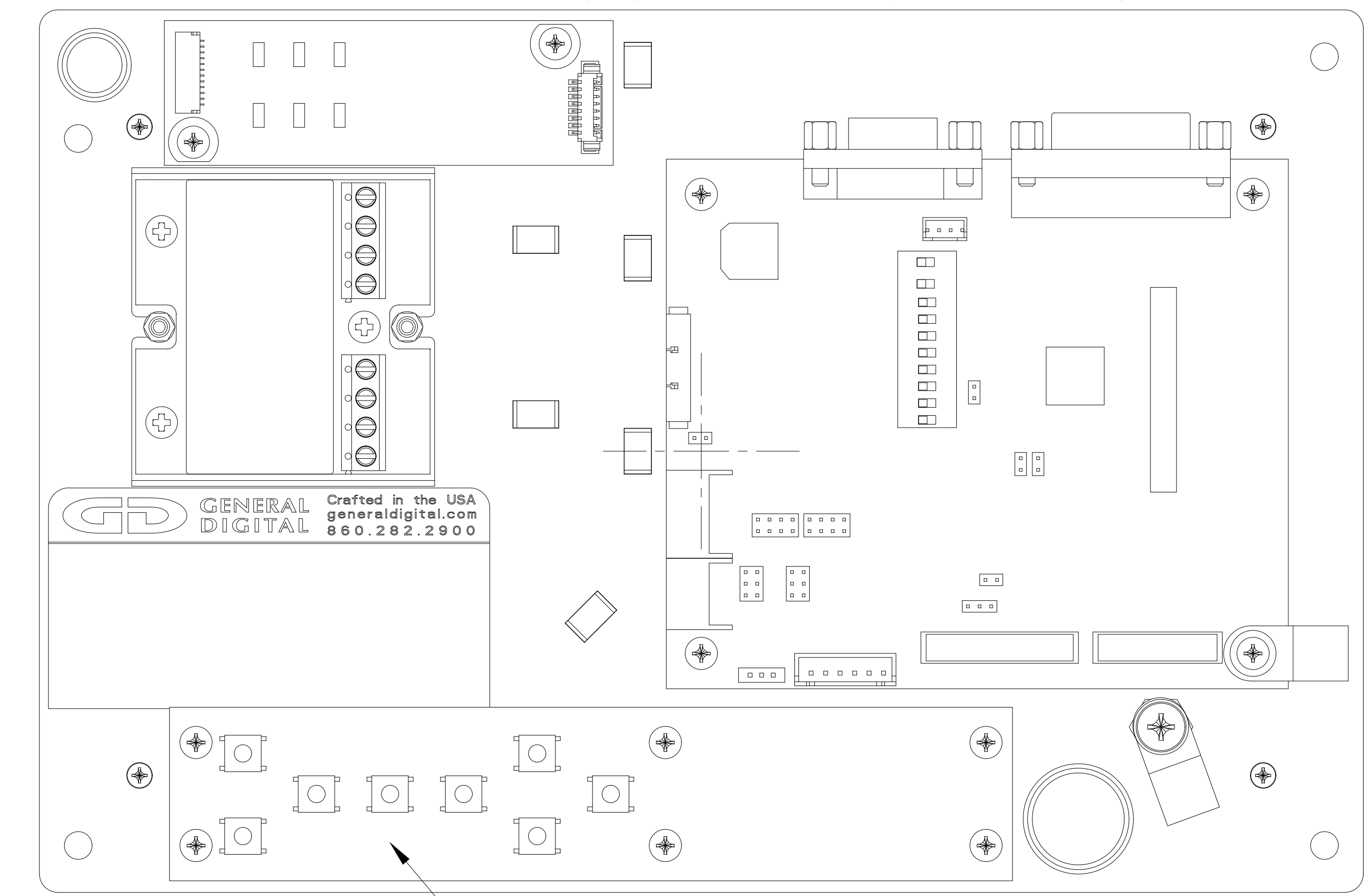
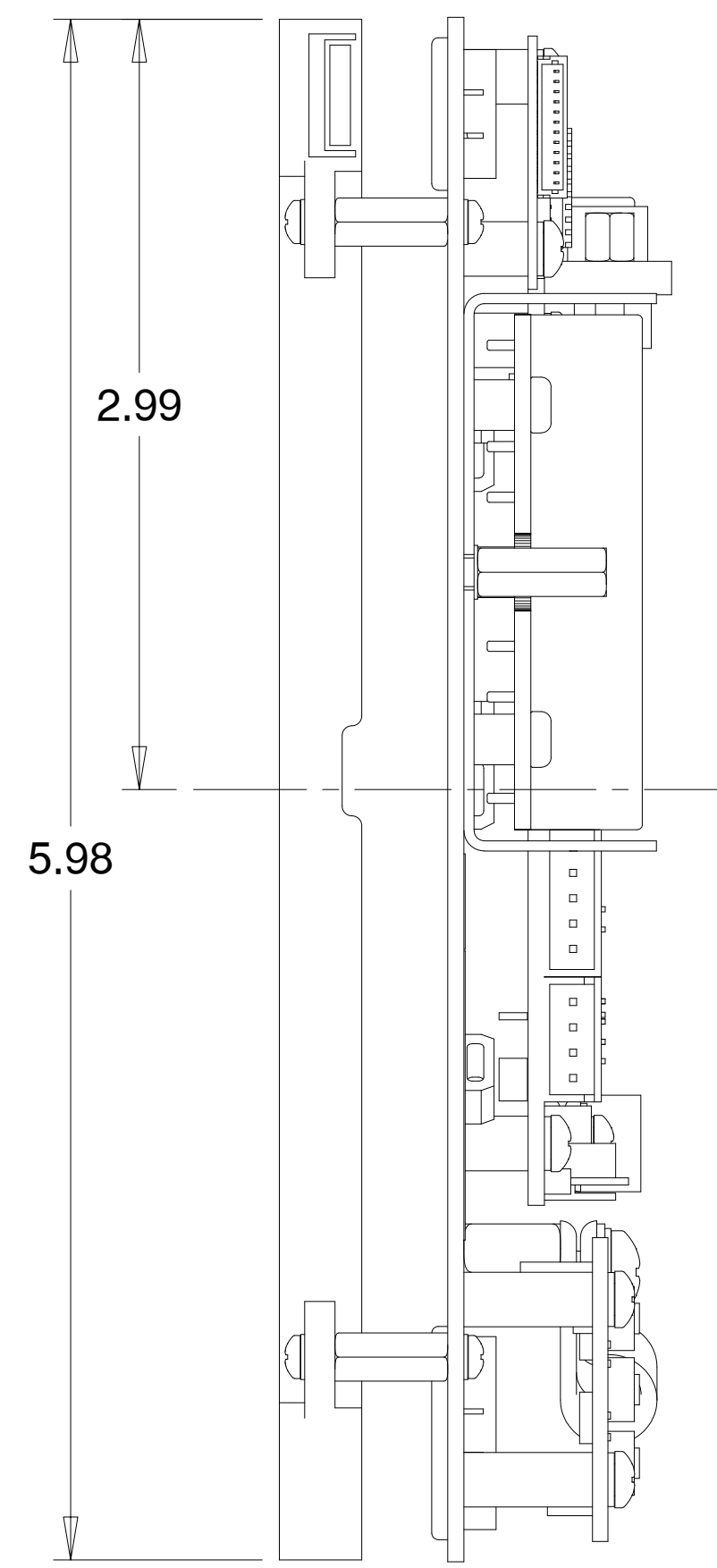
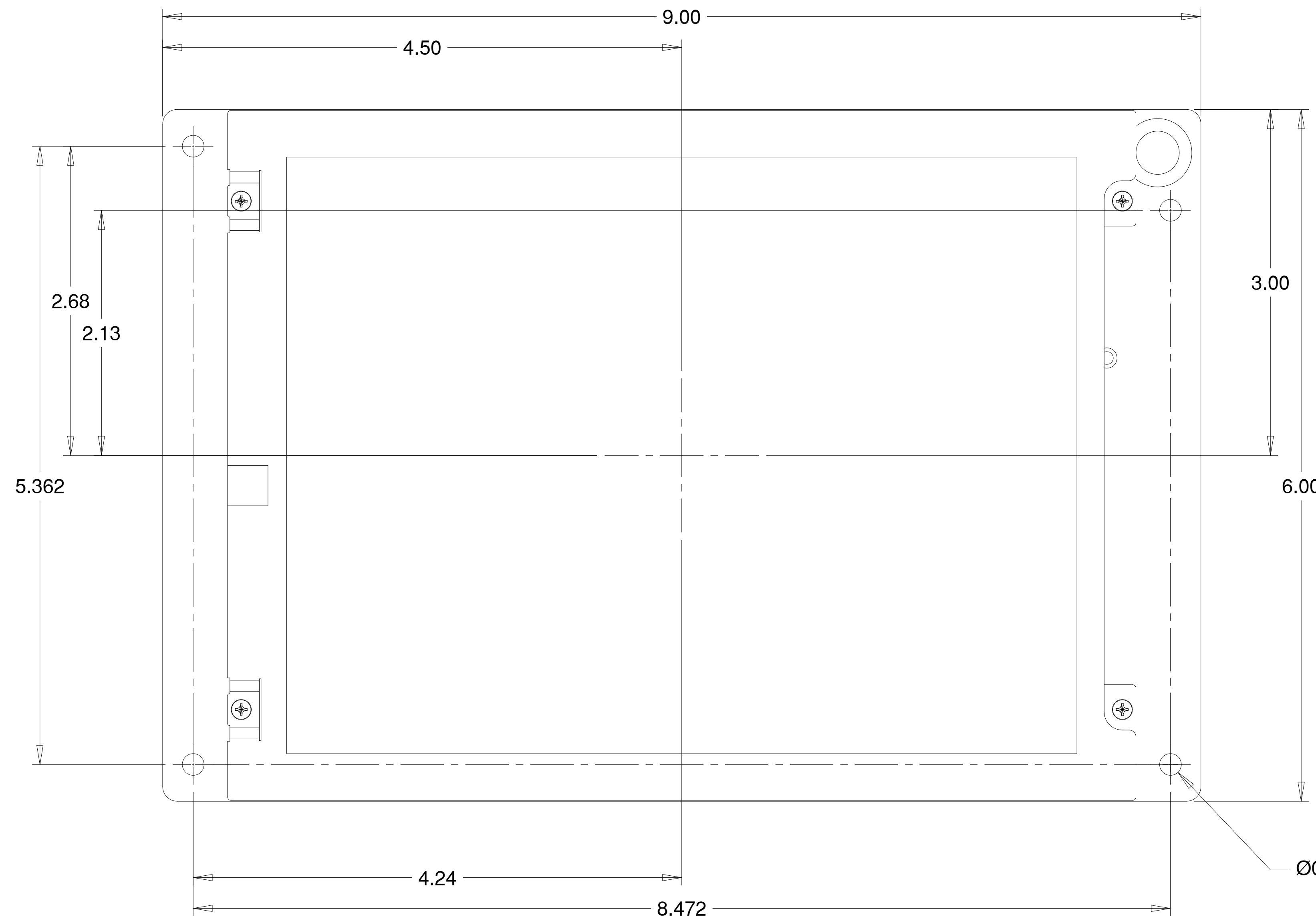
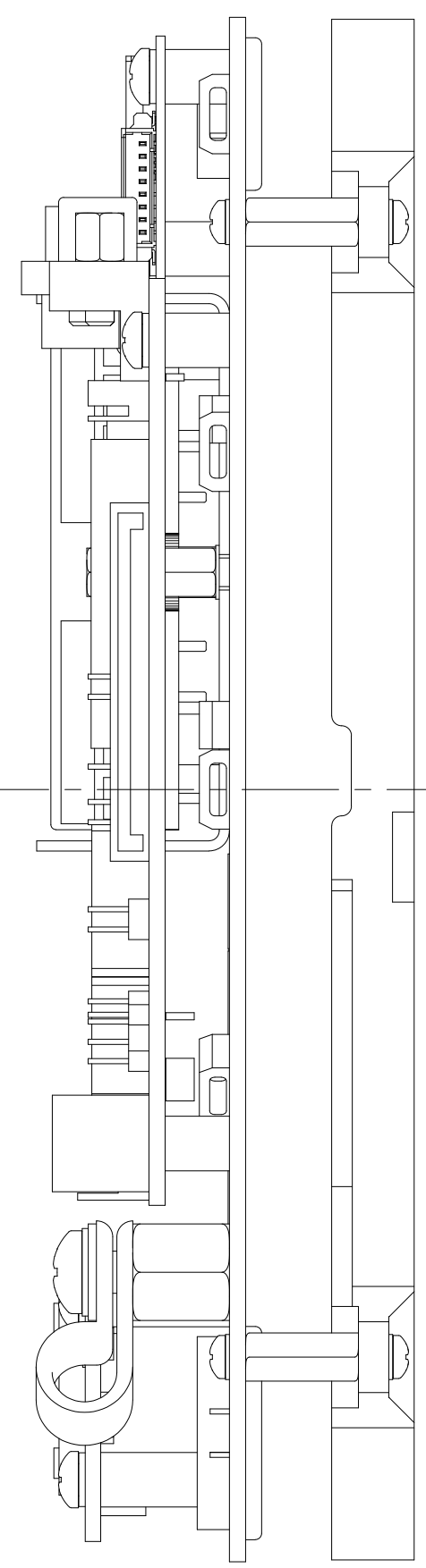
MK-08X-917-132-00-00-00-ID85-000

90-450-105

COMPANY	NAME (PRINT)
DATE	SIGNATURE



CN4 - BACKLIGHT CONTROL  
 CN3 - DC POWER INPUT (24" FLYING LEADS)  
 CN2 - ANALOG VIDEO INPUT  
 CN1 - DVI-D VIDEO INPUT



Ø0.188 (X4)

OSD/BRIGHTNESS CONTROLS

SHEET 1 OF 3

THIS DOCUMENT CONTAINS PROPRIETARY INFORMATION OF GENERAL DIGITAL AND IS NOT TO BE DISCLOSED, REPRODUCED OR PUBLISHED WITHOUT WRITTEN CONSENT FROM GENERAL DIGITAL. THIS DOCUMENT MUST BE RENDERED ILLEGIBLE WHEN BEING DISCARDED. © COPYRIGHT 2023. ALL RIGHTS RESERVED.

UNLESS OTHERWISE SPECIFIED DIMENSIONS ARE IN INCHES  
 TOLERANCES ARE:  
 FRACTIONS DECIMALS ANGLES  
 ±1/32 .X ±.050 ±0° 30'  
 .XX ±.031  
 .XXX±.020

CONNECTOR CHART		
DESIGNATION	FUNCTION	TYPE
CN1	DVI-D VIDEO INPUT	DVI-D
CN2	ANALOG VIDEO INPUT	DE-15-S
CN3	DC POWER INPUT	24" FLYING LEADS
CN4	BACKLIGHT CONTROL	MOLEX 53261-0871

MECHANICAL OUTLINE ONLY. SPECIFICATIONS SUBJECT TO CHANGE WITHOUT NOTICE. U.O.S. ALL DIMENSIONS ARE IN INCHES.	
APPROVALS	DATE
DRAWN C.P.	01-Jun-23
CHECKED B.N.	27-Sep-23
APPROVED J.H.	27-Sep-23
<b>DO NOT SCALE DRAWING</b>	



60 Prestige Park Road, East Hartford, CT 06108  
 (860) 282-2900 www.GeneralDigital.com

**MONITOR KIT**  
**8.4" XGA LED FLAT PANEL MONITOR**

REV	DATE	ECN	DESCRIPTION	BY
-1	27-Sep-23	E006994	CHANGES MADE PER CUSTOMER FEEDBACK	CP

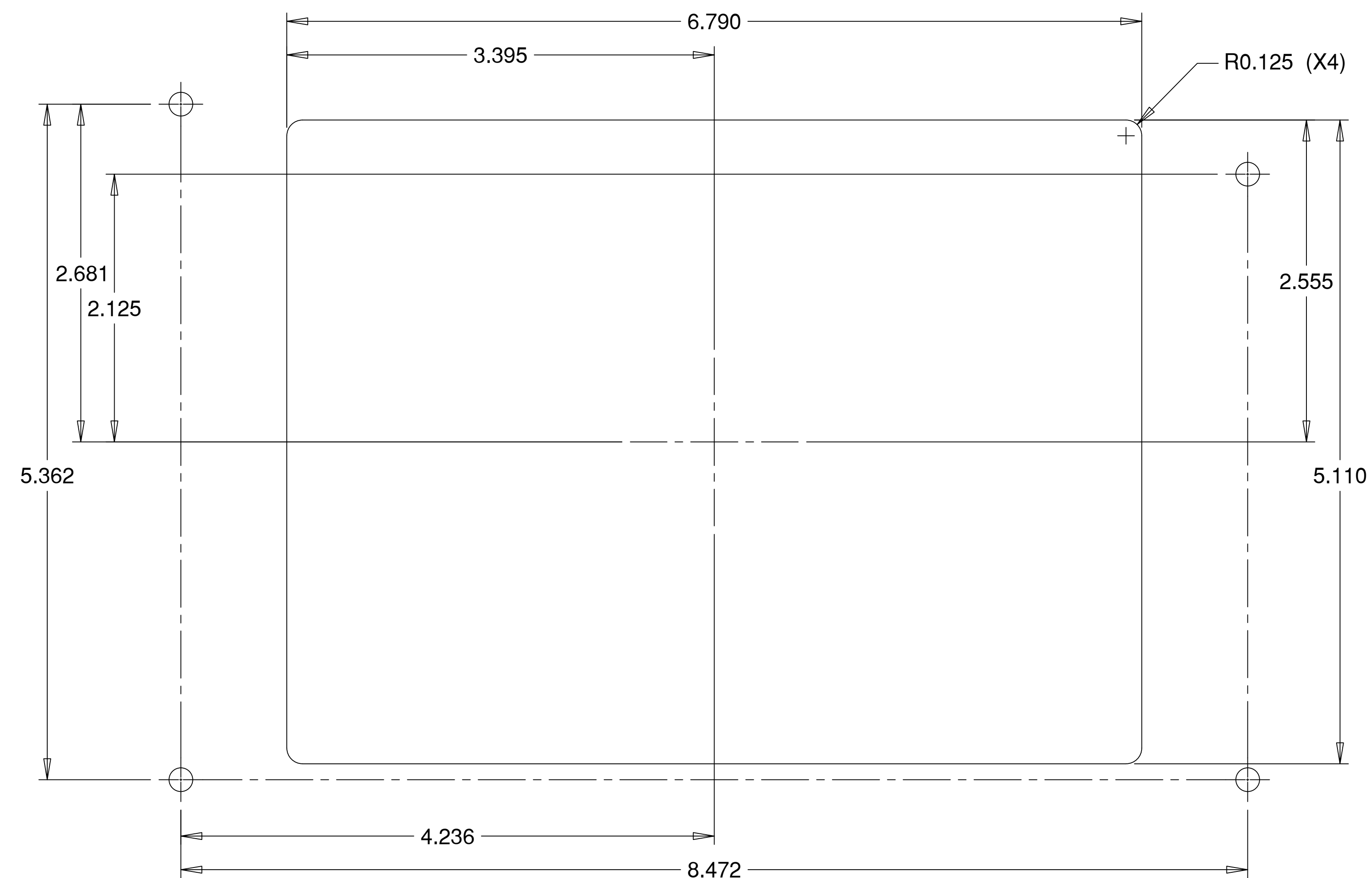
<b>B</b>	CAGE CODE 1JA77	DWG. NO. 450-105-97	REV -1
----------	--------------------	------------------------	-----------

# CUSTOMER APPROVAL

MK-08X-917-132-00-00-00-ID85-000

90-450-105

COMPANY	NAME (PRINT)
DATE	SIGNATURE



RECOMMENDED PANEL CUTOUT

SHEET 2 OF 3

THIS DOCUMENT CONTAINS PROPRIETARY INFORMATION OF GENERAL DIGITAL AND IS NOT TO BE DISCLOSED, REPRODUCED OR PUBLISHED WITHOUT WRITTEN CONSENT FROM GENERAL DIGITAL. THIS DOCUMENT MUST BE RENDERED ILLEGIBLE WHEN BEING DISCARDED. © COPYRIGHT 2023. ALL RIGHTS RESERVED.

UNLESS OTHERWISE SPECIFIED DIMENSIONS ARE IN INCHES  
 TOLERANCES ARE:  
 FRACTIONS DECIMALS ANGLES  
 ±1/32 .X ±.050 ±0° 30'  
 .XX ±.031  
 .XXX±.020

### CONNECTOR CHART

DESIGNATION	FUNCTION	TYPE
CN1	DVI-D VIDEO INPUT	DVI-D
CN2	ANALOG VIDEO INPUT	DE-15-S
CN3	DC POWER INPUT	24" FLYING LEADS
CN4	BACKLIGHT CONTROL	MOLEX 53261-0871

MECHANICAL OUTLINE ONLY. SPECIFICATIONS SUBJECT TO CHANGE WITHOUT NOTICE. U.O.S. ALL DIMENSIONS ARE IN INCHES.

APPROVALS	DATE
DRAWN C.P.	01-Jun-23
CHECKED B.N.	27-Sep-23
APPROVED J.H.	27-Sep-23

**DO NOT SCALE DRAWING**



60 Prestige Park Road, East Hartford, CT 06108  
 (860) 282-2900 www.GeneralDigital.com

### MONITOR KIT 8.4" XGA LED FLAT PANEL MONITOR

REV	DATE	ECN	DESCRIPTION	BY
-1	27-Sep-23	E006994	CHANGES MADE PER CUSTOMER FEEDBACK	CP

<b>B</b>	CAGE CODE 1JA77	DWG. NO. 450-105-97	REV -1
----------	--------------------	------------------------	-----------

# CUSTOMER APPROVAL

COMPANY	NAME (PRINT)
DATE	SIGNATURE

MK-08X-917-132-00-00-00-ID85-000

90-450-105

CN4 - BACKLIGHT CONTROL			
WIRE CONNECTIONS			
PIN	SYMBOL	FUNCTION	REMARKS
1	VDDB	POWER SUPPLY	ALL PINS MUST BE CONNECTED TO APPROPRIATE TERMINALS
2	VDDB	POWER SUPPLY	
3	GNDB	GROUND	
4	GNDB	GROUND	
5	BRTC	BACKLIGHT ENABLE	HIGH/OPEN: BACKLIGHT ON LOW: BACKLIGHT OFF
6	BRTI/PWM	BRIGHTNESS CONTROL	0Ω - 10kΩ RANGE, 10% - 100% BRIGHTNESS
7	BRTH	BRIGHTNESS CONTROL	
8	PWMSEL	BRIGHTNESS CONTROL SELECTOR	LEFT OPEN FOR ANALOG CONTROL

RESISTOR CONTROL		
<ul style="list-style-type: none"> <li>ADJUSTMENT</li> </ul> <p>THE VARIABLE RESISTOR (R) FOR LUMINANCE CONTROL SHOULD BE 10kΩ ±5%, 1/10W. MINIMUM POINT OF THE RESISTOR IS THE MINIMUM LUMINANCE. ALSO MAXIMUM POINT OF THE RESISTOR IS THE MAXIMUM LUMINANCE. THE RESISTOR (R) MUST BE CONNECTED BETWEEN BRTH-BRTI TERMINALS.</p>		
<b>PIN</b>	<b>SYMBOL</b>	<b>REMARKS</b>
5	BRTC	HIGH/OPEN: BACKLIGHT ON LOW: BACKLIGHT OFF
6	BRTI/PWM	SEE BELOW
7	BRTH	SEE BELOW
8	PWMSEL	OPEN
SCHEMATIC DIAGRAM OF RESISTOR CONTROL SETTINGS		
<ul style="list-style-type: none"> <li>RELATIVE LUMINANCE</li> </ul>		
<b>RESISTANCE</b>	<b>LUMINANCE RATIO</b>	
0Ω	10% (TYP. LUMINANCE RATIO)	
10kΩ	100% (MAX. LUMINANCE)	

UNIT SPECIFICATIONS		
FEATURE	VALUE	UNIT
<b>DISPLAY</b>		
SIZE (DIAGONAL)	8.4	INCH
ACTIVE AREA	6.71 x 5.03	INCH
RESOLUTION	1024 x 768	PIXELS
COLORS	16.7 MILLION (8-BIT + Hi_FRC)	
VIEWING ANGLE (HV)	±88 / ±88	DEGREES
REFRESH RATE	60	Hz
<b>OPTICAL</b>		
BRIGHTNESS (MAX)	600	NITS
DIMMING RANGE	10 - 100	%
BACKLIGHT TYPE	LED (SINGLE RAIL)	
CONTRAST	1000:1	
<b>POWER SUPPLY</b>		
INPUT VOLTAGE	+9 - +36	VDC
POWER CONSUMPTION (MAX)	12	WATTS
<b>ENVIRONMENTAL</b>		
OPERATING TEMPERATURE	-20 - +50	DEGREES CELSIUS
STORAGE TEMPERATURE	-20 - +60	DEGREES CELSIUS
HUMIDITY	5 - 95	% RH NON-CONDENSING

CN3 - DC POWER INPUT				
WIRE CONNECTIONS				
PIN	FUNCTION	WIRE COLOR	WIRE GAUGE	NOTES
1	GND	BLACK	18	
2	9 - 36 VDC IN	ORANGE	18	
3	CTRL	WHITE	22	TURN ON (PIN OPEN OR PULLED HIGH, 3.5-12 VDC OR OPEN CIRCUIT) TURN OFF (PIN PULLED LOW TO GND, <1.2 VDC)
4	CASE			

ACCESSORIES:  
01-999 - USER'S MANUAL  
200-020-010 - BACKLIGHT CONTROL CABLE, 18.00" FLYING LEADS

SHEET 3 OF 3

THIS DOCUMENT CONTAINS PROPRIETARY INFORMATION OF GENERAL DIGITAL AND IS NOT TO BE DISCLOSED, REPRODUCED OR PUBLISHED WITHOUT WRITTEN CONSENT FROM GENERAL DIGITAL. THIS DOCUMENT MUST BE RENDERED ILLEGIBLE WHEN BEING DISCARDED. © COPYRIGHT 2023. ALL RIGHTS RESERVED.

UNLESS OTHERWISE SPECIFIED DIMENSIONS ARE IN INCHES  
TOLERANCES ARE:  
FRACTIONS DECIMALS ANGLES  
±1/32 .X ±.050 ±0° 30'  
.XX ±.031  
.XXX±.020

CONNECTOR CHART		
DESIGNATION	FUNCTION	TYPE
CN1	DVI-D VIDEO INPUT	DVI-D
CN2	ANALOG VIDEO INPUT	DE-15-S
CN3	DC POWER INPUT	24" FLYING LEADS
CN4	BACKLIGHT CONTROL	MOLEX 53261-0871

MECHANICAL OUTLINE ONLY. SPECIFICATIONS SUBJECT TO CHANGE WITHOUT NOTICE. U.O.S. ALL DIMENSIONS ARE IN INCHES.	
APPROVALS	DATE
DRAWN C.P.	01-Jun-23
CHECKED B.N.	27-Sep-23
APPROVED J.H.	27-Sep-23
<b>DO NOT SCALE DRAWING</b>	



60 Prestige Park Road, East Hartford, CT 06108  
(860) 282-2900 www.GeneralDigital.com

**MONITOR KIT**  
**8.4" XGA LED FLAT PANEL MONITOR**

B	CAGE CODE	DWG. NO.	REV
	1JA77	450-105-97	-1

REV	DATE	ECN	DESCRIPTION	BY
-1	27-Sep-23	E006994	CHANGES MADE PER CUSTOMER FEEDBACK	CP