

1. Display Characteristics

Characteristic	Value	Unit
Size (Diagonal)	6.5	In
Resolution	1024x768	Pixels
Contrast	Dark Room	367
	Weber	2.72
Max Brightness	Day Mode	1020 nits
	NVIS Mode	20 nits
Viewing Angle	Horizontal	±80 °
	Vertical	+80 / -60 °
Night Vision Compatibility	White-B	-
Power-On Time	<5	sec
Power-On Backlight Mode	NVIS	-

THE INFORMATION CONTAINED ON THIS DRAWING MAY BE SUBJECT TO INTERNATIONAL TRAFFIC ARMS REGULATIONS (ITAR) OR EXPORT ADMINISTRATION REGULATIONS (EAR) CONTROLS AND MAY NOT BE DISCLOSED TO ANY FOREIGN PERSON OR FIRM, INCLUDING FOREIGN PERSONS EMPLOYED BY OR ASSOCIATED WITH YOUR FIRM, WITHOUT FIRST COMPLYING WITH ALL REQUIREMENTS FOR OBTAINING AN EXPORT LICENSE IF APPLICABLE.

90-3064-020

3064-020-97

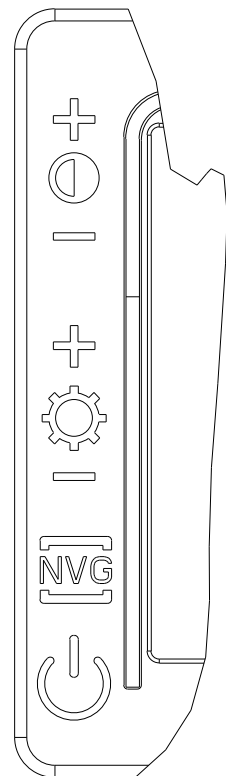
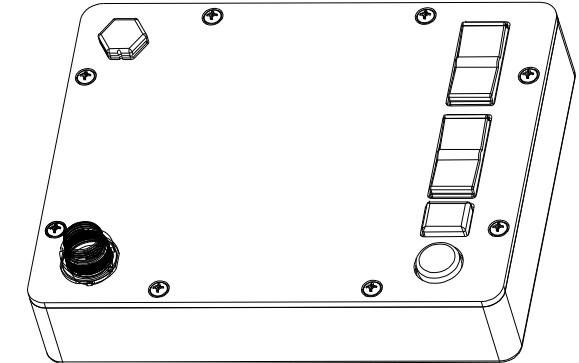
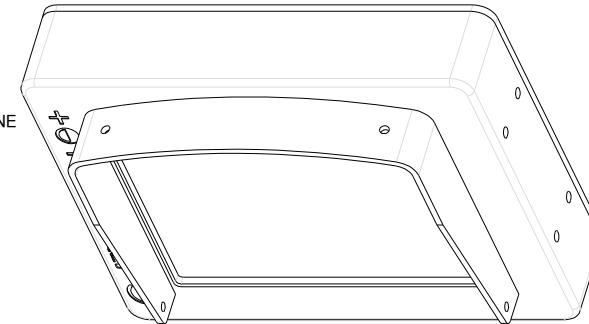
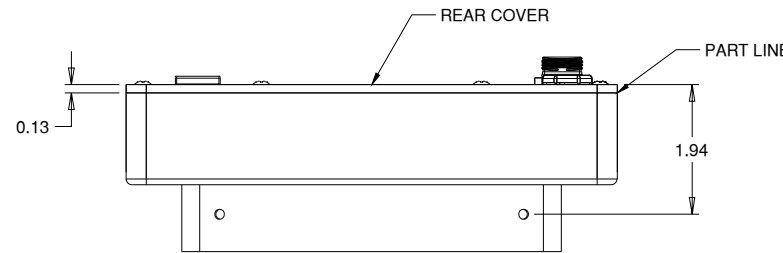
CUSTOMER APPROVAL

COMPANY	NAME (PRINT)
DATE	SIGNATURE

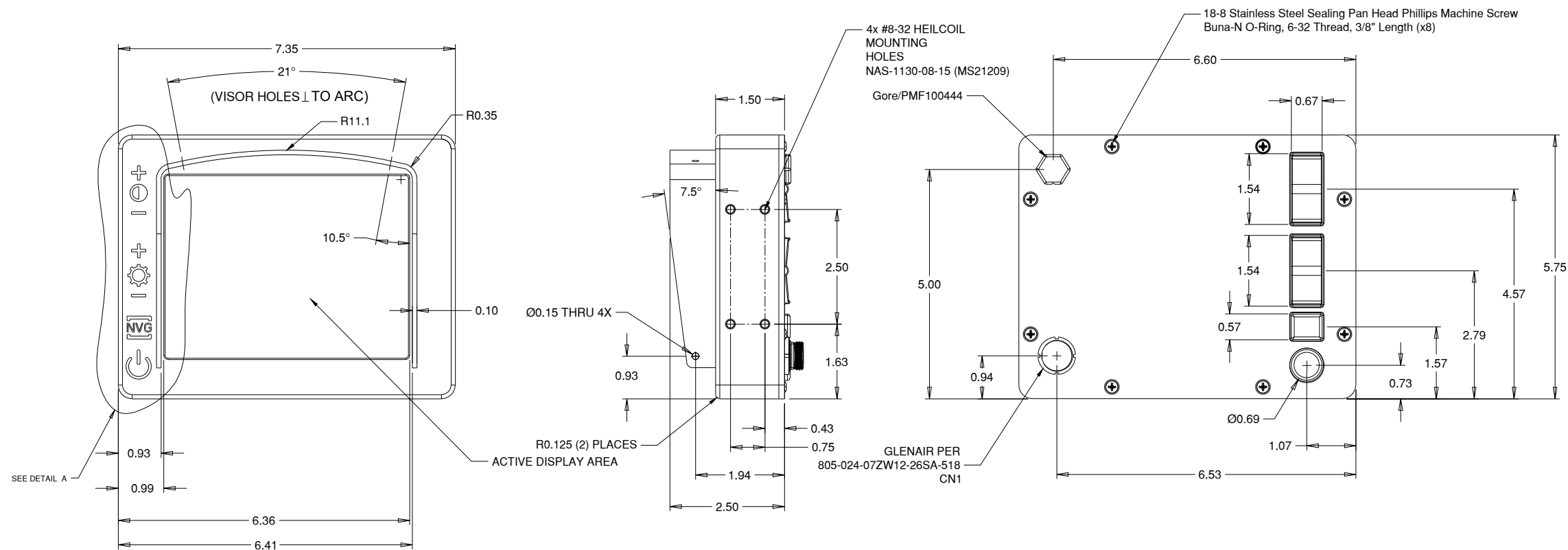
2. VIDEO REQUIREMENTS: HDMI - 1024x768 @ 60Hz

3. FINISH:

- > ALL CONDUCTIVE SURFACES TO BE COATED PER MIL-DTL-5541 Type II Class 3
- > ALL NON CONDUCTIVE SURFACES SHALL BE BLACK ANODIZED PER MIL-A-8625 TYPE III, CLASS 2+
- > EXTERIOR SURFACES TO BE FED-STD-595 Color #36231 Intl. Aircraft Gray (CARC). PART IS TO BE PRIMED PER MIL-DTL-53022 AND TOP COATED PER MIL-DTL-53039
- > ENGRAVE ALL TEXT PRIOR TO PAINT (0.010-0.015 DEPTH)
- PAINT PER PRINT
- SYRINGE INK FILL TEXT - COLOR BLACK



DETAIL A
SCALE 2.000



CN1	
PIN	SIGNAL
1	-
2	12C_SDA
3	HDMI_D2+
4	412C_SCL
5	GND
6	HDMI_D1+
7	FACTORY
8	HDMI_D2-
9	DISPLAY ENABLE
10	FACTORY
11	HDMI_D1-
12	-
13	GND
14	GND
15	GND
16	FACTORY
17	FACTORY
18	HDMI_DO+
19	-
20	HDMI_CLK+
21	Interrupt
22	GND
23	HDMI_DO-
24	V Batt
25	HDMI_CLK-
26	GND

THIS DOCUMENT CONTAINS PROPRIETARY INFORMATION OF GENERAL DIGITAL AND IS NOT TO BE DISCLOSED, REPRODUCED OR PUBLISHED WITHOUT WRITTEN CONSENT FROM GENERAL DIGITAL. THIS DOCUMENT MUST BE RENDERED ILLEGIBLE WHEN BEING DISCARDED. © COPYRIGHT 2015. ALL RIGHTS RESERVED.

CONNECTOR CHART

DESIGNATION	FUNCTION	TYPE
CN1	DISPLAY INTERFACE	805-024-07ZW12-26SA-518

APPROVALS	DATE
DRAWN FA	07-Aug-15
CHECKED JH	19-Jun-23
APPROVED	
DO NOT SCALE DRAWING	



The Innovators of Flat Panel Technology
8 Nutmeg Road South, South Windsor, CT 06074
(860) 282-2900 www.GeneralDigital.com

**6.5" STANDALONE MONITOR
INTL. AIRCRAFT GRAY**

REV	DATE	ECN	DESCRIPTION	BY
B	15-Jun-23	E006869	UPDATES I/O CONN. CN1, AND LEGENDS ON BEZEL	FA
A	07-Dec-15	E004389	UPDATED PER CUSTOMER SPECS.	FA

B	CAGE CODE	DWG. NO.	REV
	1JA77	3064-020-97	B