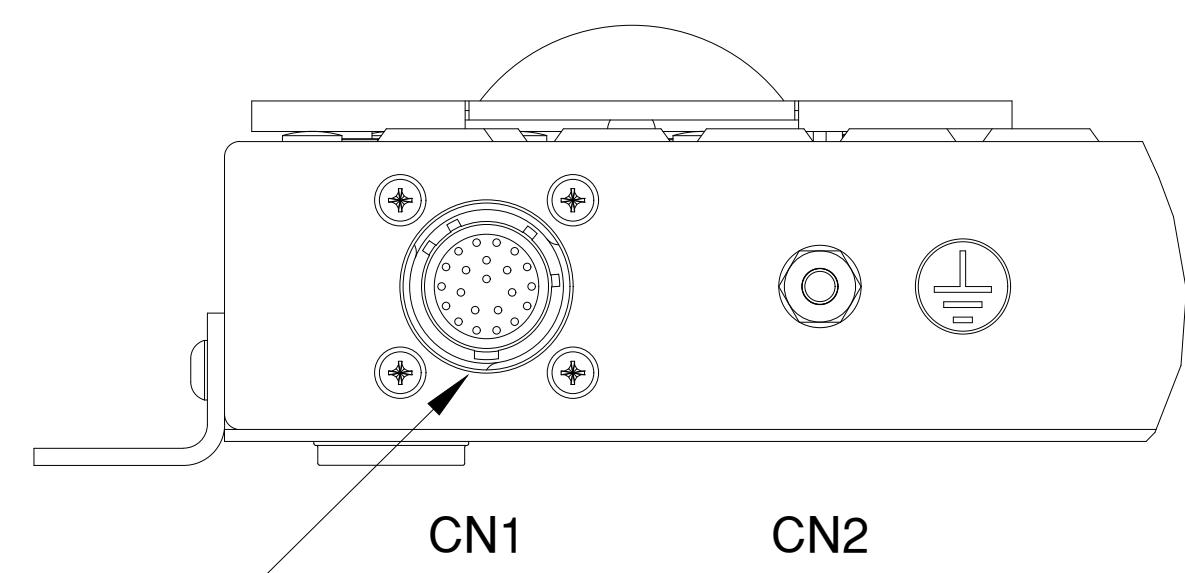
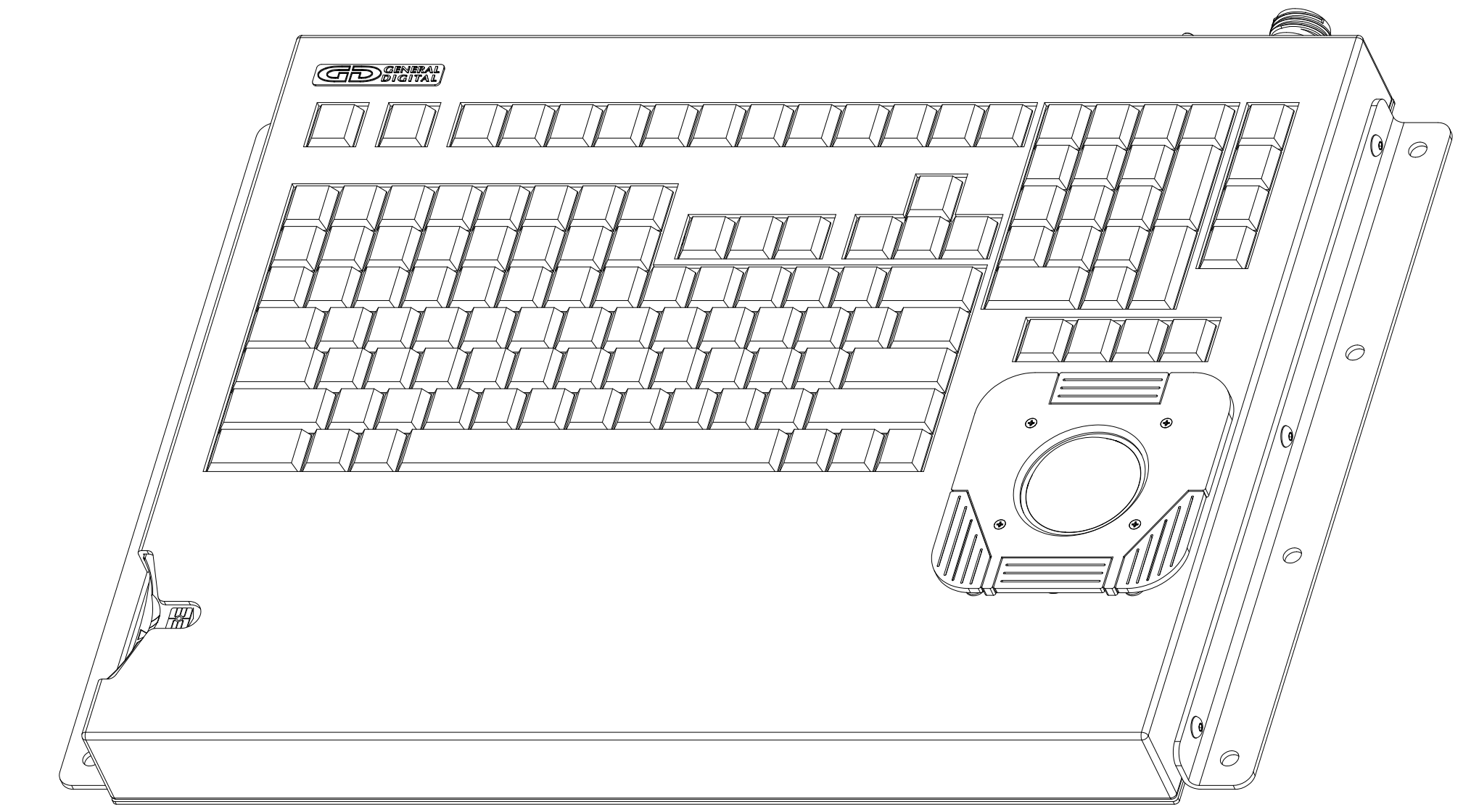
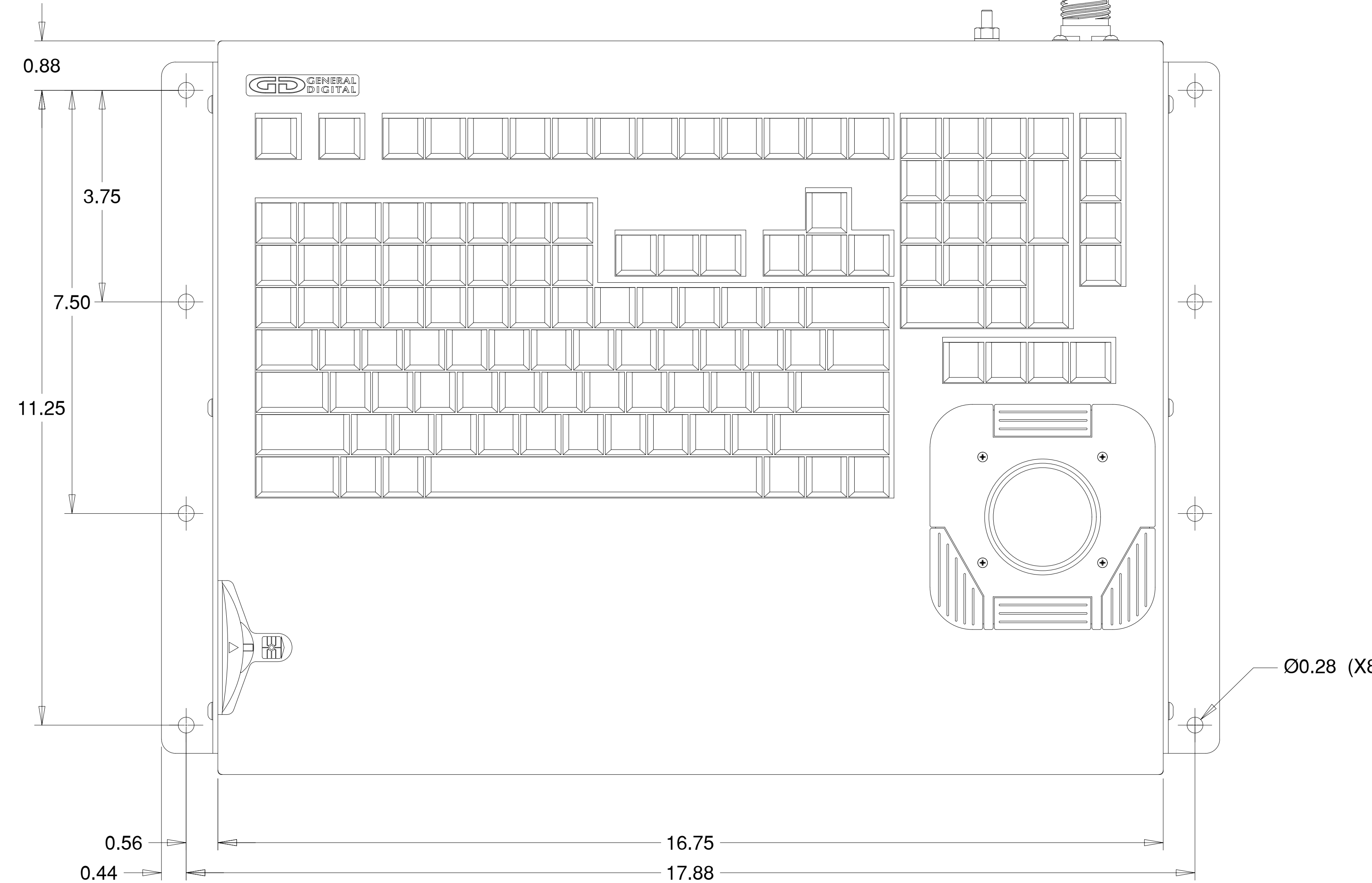
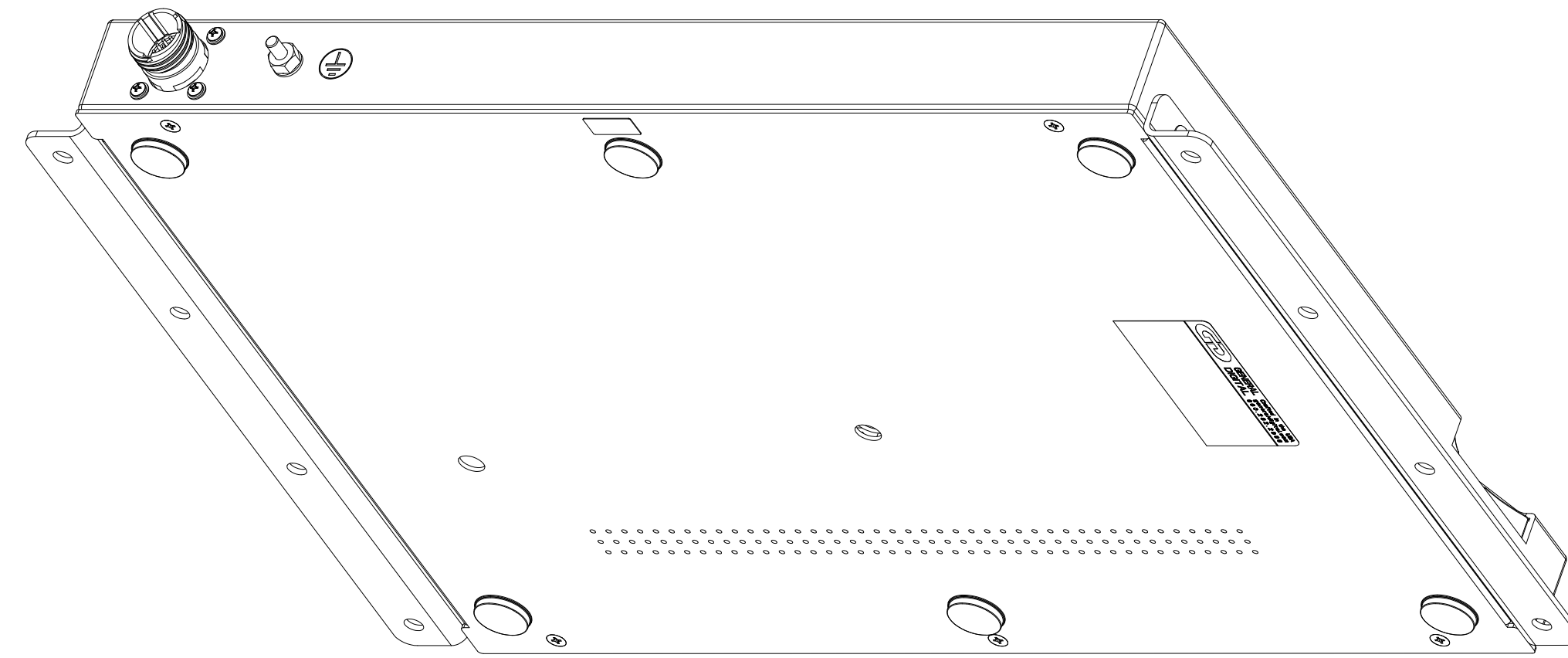
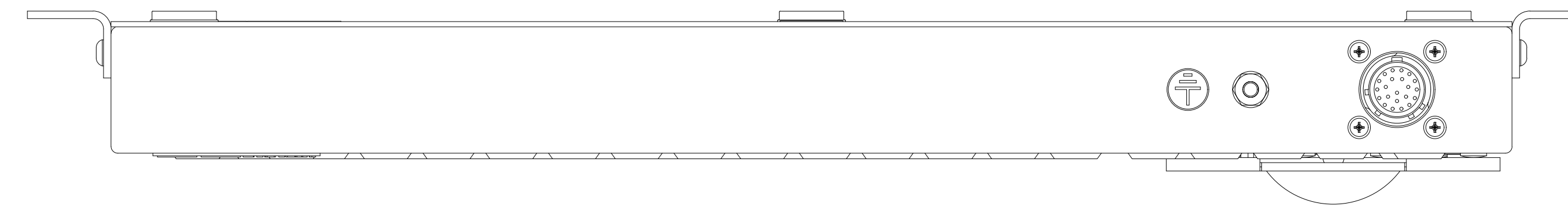


# CUSTOMER APPROVAL

K121-12TBB-MIL-2-USB-CAC-151

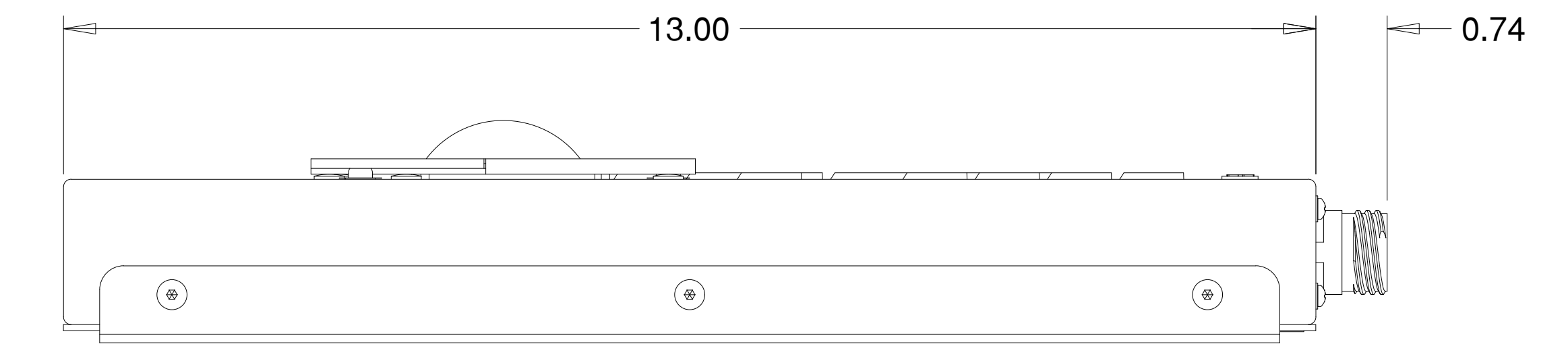
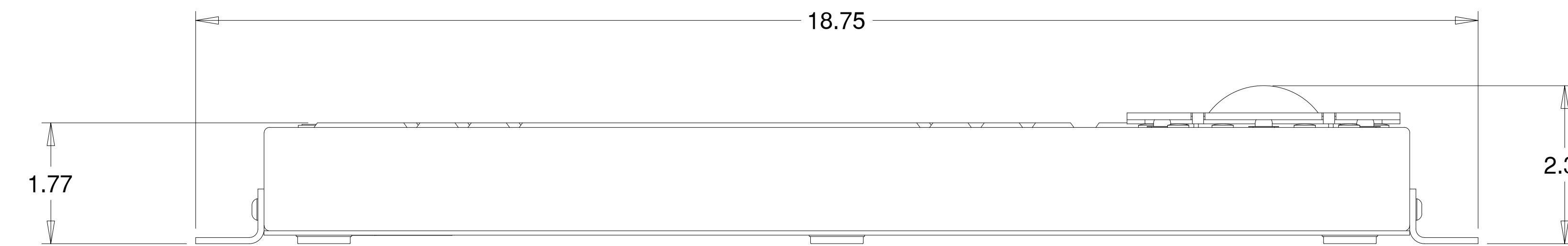
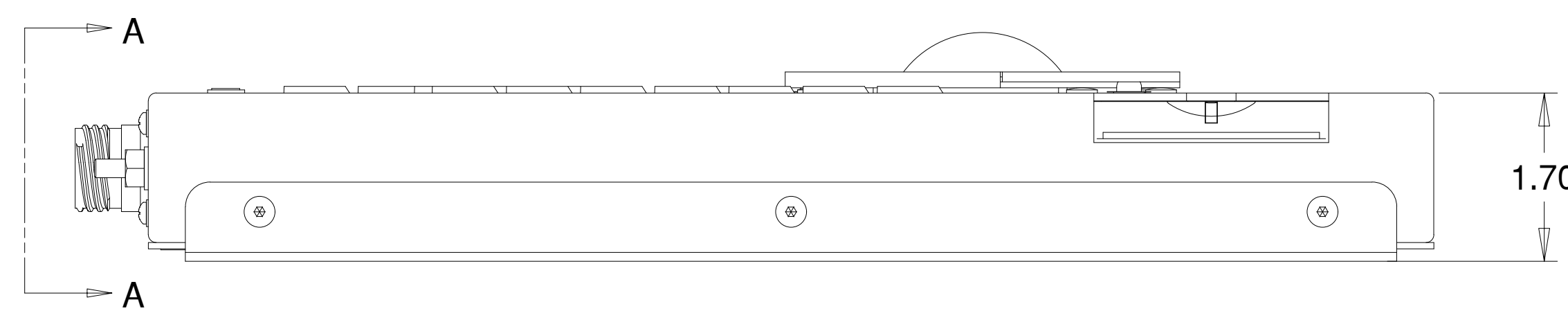
90-750-131

COMPANY	NAME (PRINT)
DATE	SIGNATURE



KEYING NOTCH ON CN1 SHALL BE ORIENTED TOWARDS THE BOTTOM

SECTION A-A



SHEET 1 OF 3

THIS DOCUMENT CONTAINS PROPRIETARY INFORMATION OF GENERAL DIGITAL AND IS NOT TO BE DISCLOSED, REPRODUCED OR PUBLISHED WITHOUT WRITTEN CONSENT FROM GENERAL DIGITAL. THIS DOCUMENT MUST BE RENDERED ILLEGIBLE WHEN BEING DISCARDED. © COPYRIGHT 2022. ALL RIGHTS RESERVED.

### CONNECTOR CHART

DESIGNATION	FUNCTION	TYPE
CN1	KEYBOARD, TRACKBALL, CAC	D38999/20WC359N
CN2	GROUND STUD - 1/2" LONG	10-32 UNC-2A

MECHANICAL OUTLINE ONLY. SPECIFICATIONS SUBJECT TO CHANGE WITHOUT NOTICE. U.O.S. ALL DIMENSIONS ARE IN INCHES.

APPROVALS	DATE
DRAWN C.P.	20-Apr-22
CHECKED B.N.	20-Apr-22
APPROVED J.H.	20-Apr-22



60 Prestige Park Road, East Hartford, CT 06108  
(860) 282-2900 www.GeneralDigital.com

**DESKTOP MOUNT KEYBOARD  
121 KEY KEYBOARD w/2" TRACKBALL**

UNLESS OTHERWISE SPECIFIED DIMENSIONS ARE IN INCHES  
TOLERANCES ARE:  
FRACTIONS DECIMALS ANGLES  
±1/32 .X ±.050 ±0° 30'  
.XX ±.031  
.XXX±.020

DO NOT SCALE DRAWING

**B**

CAGE CODE 1JA77	DWG. NO. 750-131-97	REV -1
--------------------	------------------------	-----------

REV	DATE	ECN	DESCRIPTION	CP	BY
-1	13-May-22	E006558	UPDATED KEYBOARD TO LOW PROFILE KEYS		

# CUSTOMER APPROVAL

K121-12TBB-MIL-2-USB-CAC-151

90-750-131

COMPANY	NAME (PRINT)
DATE	SIGNATURE

SHEET 2 OF 3

THIS DOCUMENT CONTAINS PROPRIETARY INFORMATION OF GENERAL DIGITAL AND IS NOT TO BE DISCLOSED, REPRODUCED OR PUBLISHED WITHOUT WRITTEN CONSENT FROM GENERAL DIGITAL. THIS DOCUMENT MUST BE RENDERED ILLEGIBLE WHEN BEING DISCARDED. © COPYRIGHT 2022. ALL RIGHTS RESERVED.

## CONNECTOR CHART

DESIGNATION	FUNCTION	TYPE
CN1	KEYBOARD, TRACKBALL, CAC	D38999/20WC359N
CN2	GROUND STUD - 1/2" LONG	10-32 UNC-2A

MECHANICAL OUTLINE ONLY. SPECIFICATIONS SUBJECT TO CHANGE WITHOUT NOTICE. U.O.S. ALL DIMENSIONS ARE IN INCHES.

APPROVALS	DATE
DRAWN C.P.	20-Apr-22
CHECKED B.N.	20-Apr-22
APPROVED J.H.	20-Apr-22
<b>DO NOT SCALE DRAWING</b>	



60 Prestige Park Road, East Hartford, CT 06108  
(860) 282-2900 www.GeneralDigital.com

**DESKTOP MOUNT KEYBOARD  
121 KEY KEYBOARD w/2" TRACKBALL**

<b>B</b>	CAGE CODE	DWG. NO.	REV
	1JA77	750-131-97	-1

UNLESS OTHERWISE SPECIFIED DIMENSIONS ARE IN INCHES  
TOLERANCES ARE:  
FRACTIONS DECIMALS ANGLES  
±1/32 .X ±.050 ±0° 30'  
.XX ±.031  
.XXX±.020

REV	DATE	ECN	DESCRIPTION	BY
-1	13-May-22	E006558	UPDATED KEYBOARD TO LOW PROFILE KEYS	CP

# CUSTOMER APPROVAL

## K121-12TBB-MIL-2-USB-CAC-151

90-750-131

COMPANY	NAME (PRINT)
DATE	SIGNATURE

CN1 - KEYBOARD/TRACKBALL/ CAC	
D38999/20WC35PN	
PIN #	SIGNAL NAME
1 <sub>1</sub>	5 VDC
2 <sub>1</sub>	DATA -
3 <sub>1</sub>	DATA +
4 <sub>1</sub>	GROUND
5 <sub>2</sub>	5 VDC
6 <sub>2</sub>	DATA -
7 <sub>2</sub>	DATA +
8 <sub>2</sub>	GROUND

1 - CAC READER  
2 - KEYBOARD/TRACKBALL

UNIT SPECIFICATIONS		
FEATURE	VALUE	UNIT
<b>KEYBOARD</b>		
KEYBOARD LAYOUT	QWERTY	
INTERFACE	USB	
BACKLIGHT	RED	
KEY COUNT	121	
<b>TRACKBALL</b>		
SIZE	2	INCH
INTERFACE	USB	
BACKLIGHT	RED	
KEY COUNT	4	
<b>CAC READER</b>		
INTERFACE	USB	
<b>ENVIRONMENTAL</b>		
OPERATING TEMPERATURE	0 - +50	DEGREES CELSIUS
STORAGE TEMPERATURE	-20 - +70	DEGREES CELSIUS
HUMIDITY	5 - 95	% RH NON-CONDENSING
<b>MECHANICAL</b>		
MATERIAL - ENCLOSURE	ALUMINUM	
FINISH	TEXTURED BLACK POWDER COAT	

SHEET 3 OF 3

THIS DOCUMENT CONTAINS PROPRIETARY INFORMATION OF GENERAL DIGITAL AND IS NOT TO BE DISCLOSED, REPRODUCED OR PUBLISHED WITHOUT WRITTEN CONSENT FROM GENERAL DIGITAL. THIS DOCUMENT MUST BE RENDERED ILLEGIBLE WHEN BEING DISCARDED. © COPYRIGHT 2022. ALL RIGHTS RESERVED.

UNLESS OTHERWISE SPECIFIED DIMENSIONS ARE IN INCHES  
TOLERANCES ARE:  
FRACTIONS DECIMALS ANGLES  
±1/32 .X ±.050 ±0° 30'  
.XX ±.031  
.XXX±.020

CONNECTOR CHART			MECHANICAL OUTLINE ONLY. SPECIFICATIONS SUBJECT TO CHANGE WITHOUT NOTICE. U.O.S. ALL DIMENSIONS ARE IN INCHES.	
DESIGNATION	FUNCTION	TYPE	APPROVALS	DATE
CN1	KEYBOARD, TRACKBALL, CAC	D38999/20WC359N	DRAWN	20-Apr-22
CN2	GROUND STUD - 1/2" LONG	10-32 UNC-2A	C.P.	20-Apr-22
			CHECKED	B.N.
			APPROVED	J.H.
			DO NOT SCALE DRAWING	



60 Prestige Park Road, East Hartford, CT 06108  
(860) 282-2900 www.GeneralDigital.com

**DESKTOP MOUNT KEYBOARD  
121 KEY KEYBOARD w/2" TRACKBALL**

<b>B</b>	CAGE CODE	DWG. NO.	REV
	1JA77	750-131-97	-1

REV	DATE	ECN	DESCRIPTION	BY
-1	13-May-22	E006558	UPDATED KEYBOARD TO LOW PROFILE KEYS	CP