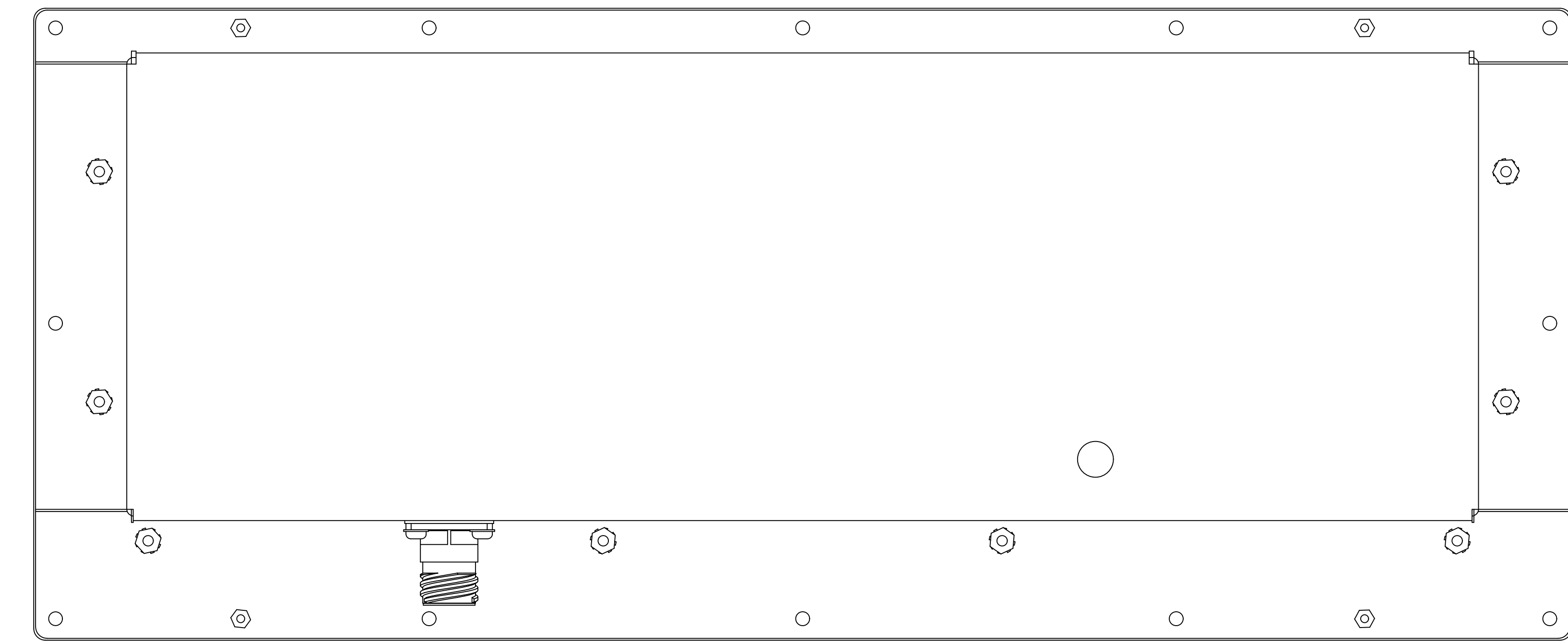
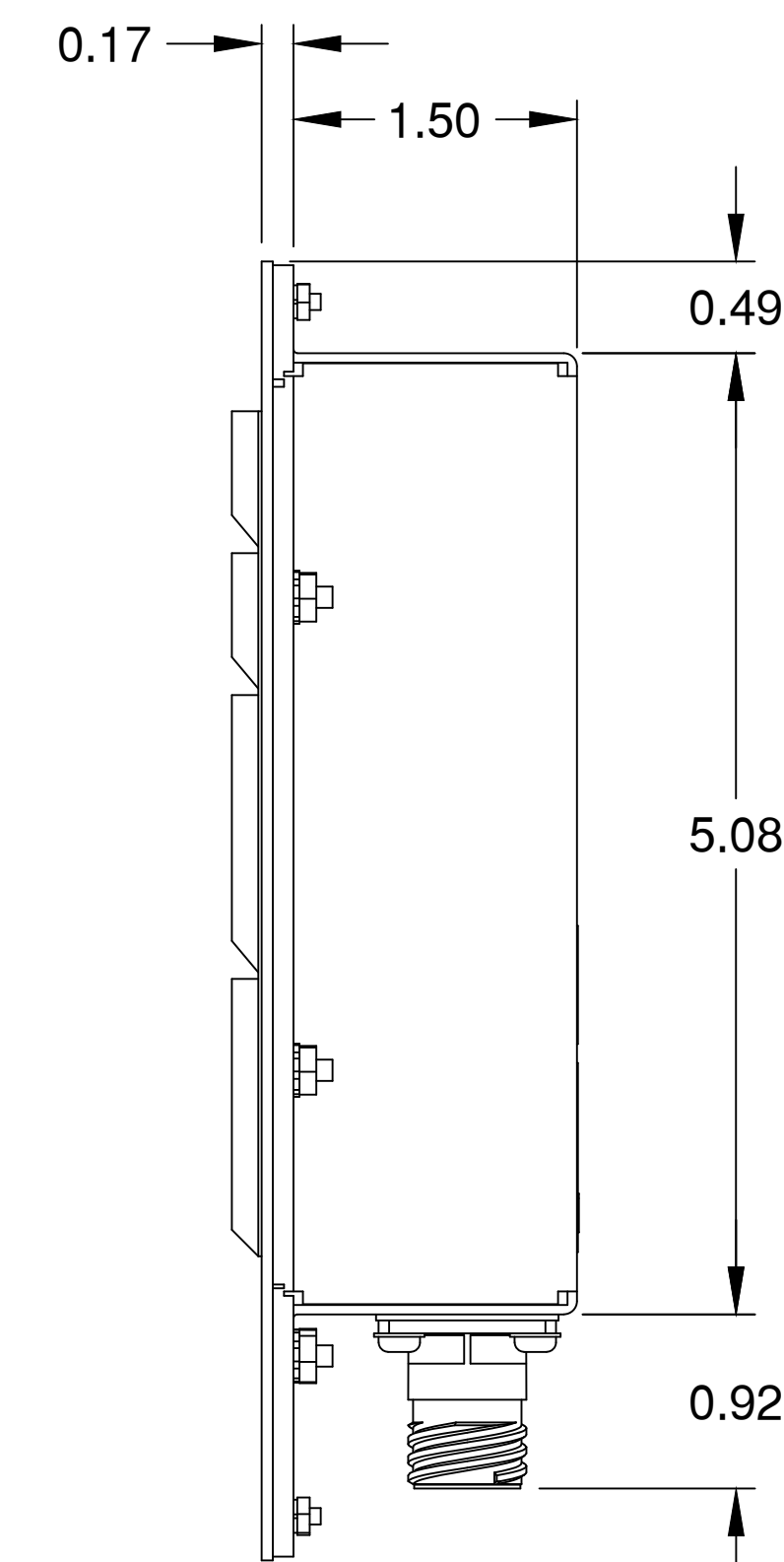
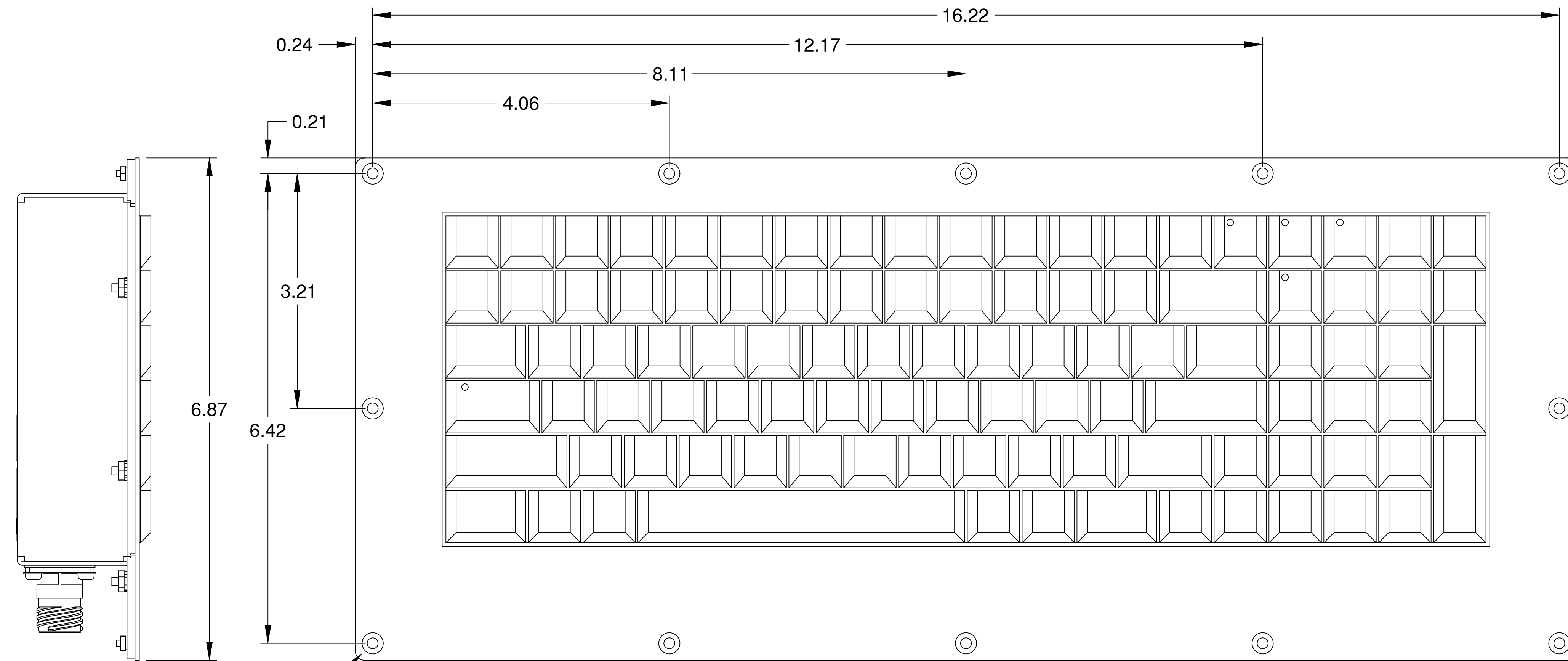
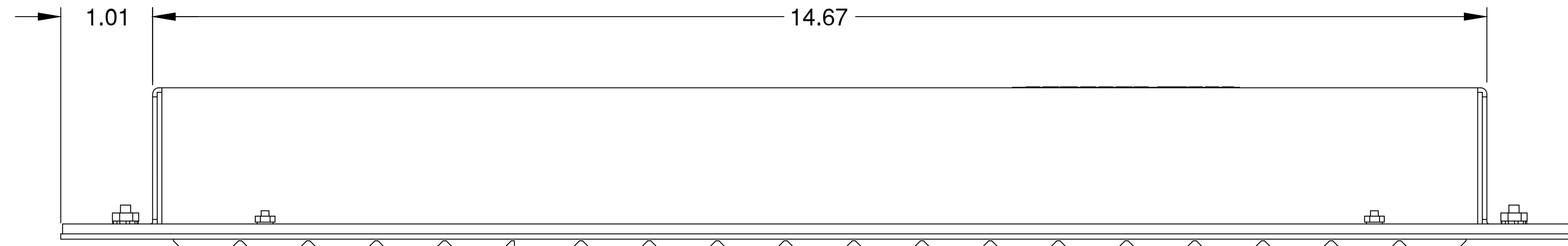
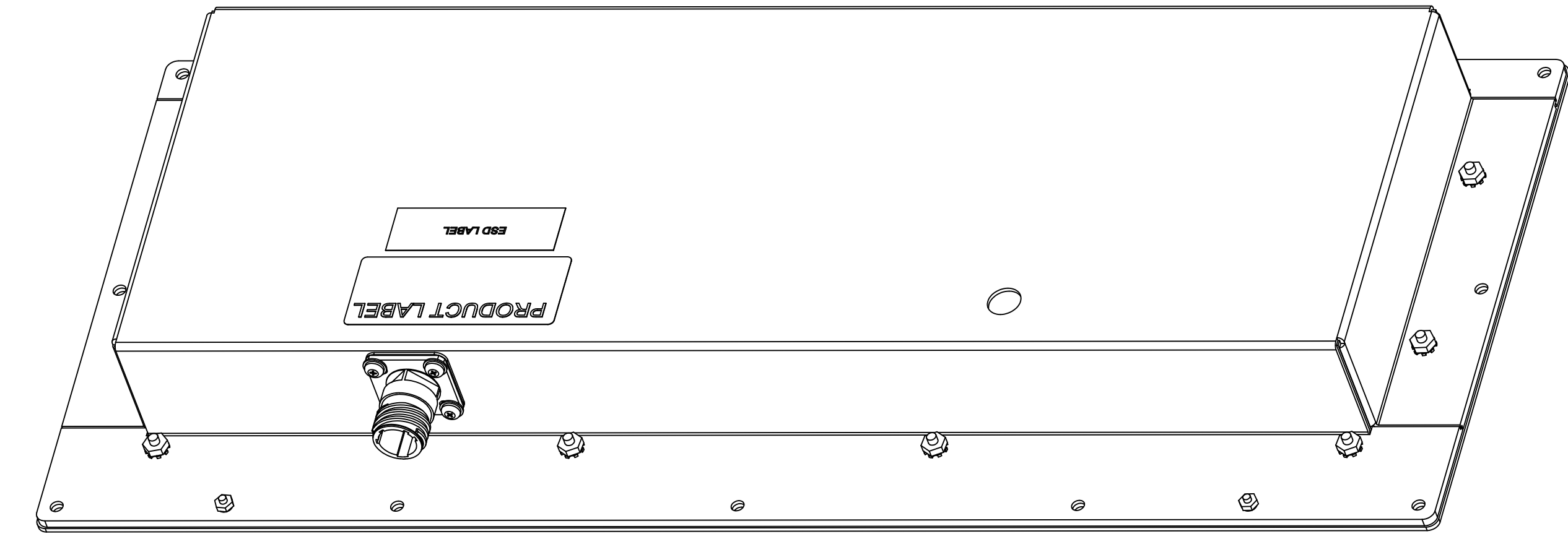
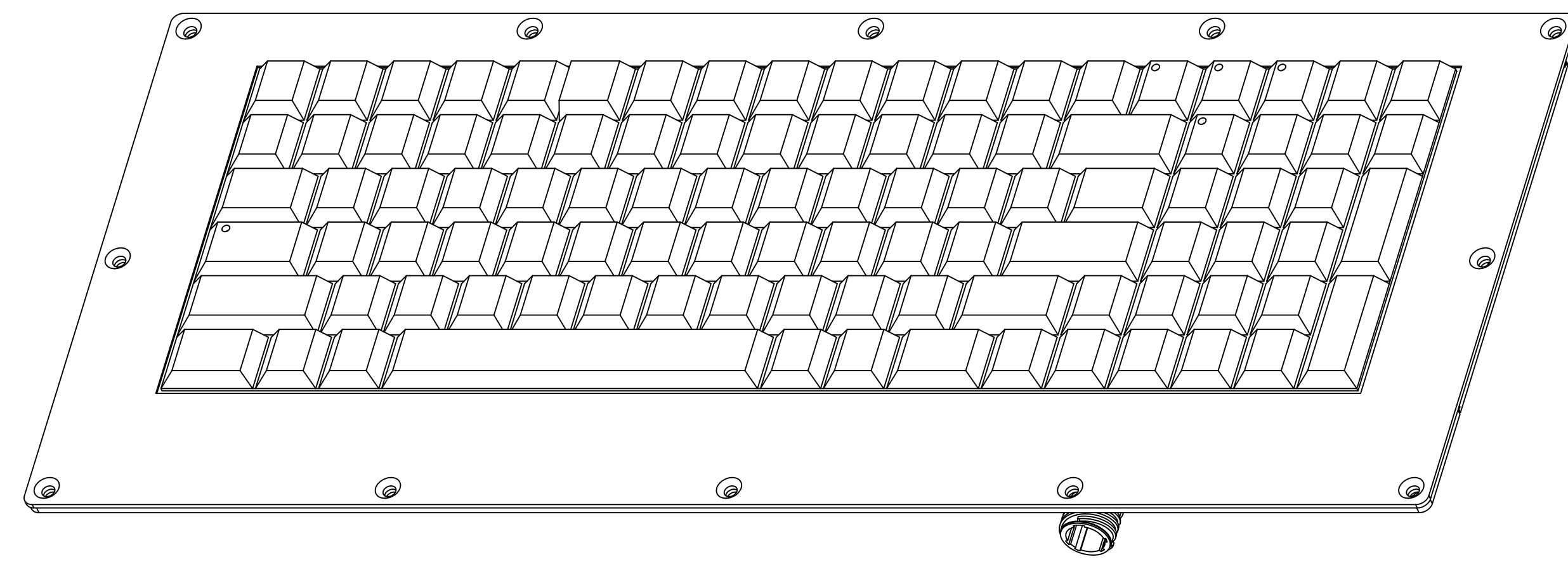


# CUSTOMER APPROVAL

90-750-114

COMPANY	NAME (PRINT)
DATE	SIGNATURE



MOUNTING HOLE:  
Ø0.156 THRU,  
COUNTERSINK  
Ø0.280 x 82° (X12)

CN1

SHEET 1 OF 3

THIS DOCUMENT CONTAINS PROPRIETARY INFORMATION OF GENERAL DIGITAL AND IS NOT TO BE DISCLOSED, REPRODUCED OR PUBLISHED WITHOUT WRITTEN CONSENT FROM GENERAL DIGITAL. THIS DOCUMENT MUST BE RENDERED ILLEGIBLE WHEN BEING DISCARDED. © COPYRIGHT 2021. ALL RIGHTS RESERVED.

UNLESS OTHERWISE SPECIFIED DIMENSIONS ARE IN INCHES  
TOLERANCES ARE:  
FRACTIONS DECIMALS ANGLES  
±1/32 .X ±.050 ±0° 30'  
.XX ±.031  
.XXX±.020

## CONNECTOR CHART

DESIGNATION	FUNCTION	TYPE
CN1	USB INTERFACE	D38999/20FA35PA

MECHANICAL OUTLINE ONLY. SPECIFICATIONS SUBJECT TO CHANGE WITHOUT NOTICE. U.O.S. ALL DIMENSIONS ARE IN INCHES.

APPROVALS	DATE
DRAWN	25-Jan-21
CHECKED	
APPROVED	
DO NOT SCALE DRAWING	



60 Prestige Park Road, East Hartford, CT 06108  
(860) 282-2900 www.GeneralDigital.com

PANELMOUNT KEYBOARD, 90-KEY  
WHITE BACKLIT, USB INTERFACE

<b>B</b>	CAGE CODE	DWG. NO.	REV
	1JA77	750-114-97	-1

REV	DATE	ECN	DESCRIPTION	BY
-1	02-Feb-21	E006214	DECREASED TOP PANEL THICKNESS FROM 0.20"	CP

# CUSTOMER APPROVAL

COMPANY	NAME (PRINT)
DATE	SIGNATURE

90-750-114

ALL LEGENDS ARE NEGATIVE IMAGE  
(TRANSLUCENT LEGEND ON BLACK BACKGROUND)



SHEET 2 OF 3

THIS DOCUMENT CONTAINS PROPRIETARY INFORMATION OF GENERAL DIGITAL AND IS NOT TO BE DISCLOSED, REPRODUCED OR PUBLISHED WITHOUT WRITTEN CONSENT FROM GENERAL DIGITAL. THIS DOCUMENT MUST BE RENDERED ILLEGIBLE WHEN BEING DISCARDED. © COPYRIGHT 2021. ALL RIGHTS RESERVED.

### CONNECTOR CHART

DESIGNATION	FUNCTION	TYPE	MECHANICAL OUTLINE ONLY. SPECIFICATIONS SUBJECT TO CHANGE WITHOUT NOTICE. U.O.S. ALL DIMENSIONS ARE IN INCHES.	
CN1	USB INTERFACE	D38999/20FA35PA	APPROVALS	DATE
			DRAWN C.P.	25-Jan-21
			CHECKED B.N.	
			APPROVED J.H.	
			<b>DO NOT SCALE DRAWING</b>	



60 Prestige Park Road, East Hartford, CT 06108  
(860) 282-2900 www.GeneralDigital.com

**PANELMOUNT KEYBOARD, 90-KEY  
WHITE BACKLIT, USB INTERFACE**

<b>B</b>	CAGE CODE	DWG. NO.	REV
	1JA77	750-114-97	-1

-1	02-Feb-21	E006214	DECREASED TOP PANEL THICKNESS FROM 0.20"	CP
REV	DATE	ECN	DESCRIPTION	BY

UNLESS OTHERWISE SPECIFIED DIMENSIONS ARE IN INCHES  
TOLERANCES ARE:  
FRACTIONS DECIMALS ANGLES  
±1/32 .X ±.050 ±0° 30'  
.XX ±.031  
.XXX±.020

# CUSTOMER APPROVAL

90-750-114

COMPANY	NAME (PRINT)
DATE	SIGNATURE

## Unit Specifications

CN1 - USB INTERFACE	
Type: D38999/20FA35PA	
Pin Position	Signal
1	N.C.
2	N.C.
3	+5VDC
4	USB D-
5	USB D+
6	LOGIC GROUND
SHELL	CHASSIS GROUND

Feature	Value	Units
<b>Keyboard</b>		
Keyboard Layout	ANSI/HFES 100 (QWERTY)	
Interface	USB	
Backlight	White	
Key Count	90	
<b>Environmental</b>		
Operating Temperature	-40 - +70	°C
Storage Temperature	-40 - +70	°C
Humidity	0 - 95	%RH
Vibration	MIL-STD-167-1A, Type I (Designed to Comply)	
Shock	MIL-STD-810G, 50G (Designed to Comply)	
Sealing	NEMA 4 & IP65 (Designed to Comply)	
Drip-Proof	MIL-STD-108E (Designed to Comply)	
Fungus	MIL-STD-810G, Method 508 (Designed to Comply)	
<b>Mechanical</b>		
Finish	Textured Black Powder Coat	

SHEET 3 OF 3

THIS DOCUMENT CONTAINS PROPRIETARY INFORMATION OF GENERAL DIGITAL AND IS NOT TO BE DISCLOSED, REPRODUCED OR PUBLISHED WITHOUT WRITTEN CONSENT FROM GENERAL DIGITAL. THIS DOCUMENT MUST BE RENDERED ILLEGIBLE WHEN BEING DISCARDED. © COPYRIGHT 2021. ALL RIGHTS RESERVED.

### CONNECTOR CHART

DESIGNATION	FUNCTION	TYPE
CN1	USB INTERFACE	D38999/20FA35PA

MECHANICAL OUTLINE ONLY. SPECIFICATIONS SUBJECT TO CHANGE WITHOUT NOTICE. U.O.S. ALL DIMENSIONS ARE IN INCHES.

APPROVALS	DATE
DRAWN C.P.	25-Jan-21
CHECKED B.N.	
APPROVED J.H.	
<b>DO NOT SCALE DRAWING</b>	



60 Prestige Park Road, East Hartford, CT 06108  
(860) 282-2900 www.GeneralDigital.com

**PANELMOUNT KEYBOARD, 90-KEY  
WHITE BACKLIT, USB INTERFACE**

<b>B</b>	CAGE CODE	DWG. NO.	REV
	1JA77	750-114-97	-1

REV	DATE	ECN	DESCRIPTION	BY
-1	02-Feb-21	E006214	DECREASED TOP PANEL THICKNESS FROM 0.20"	CP

UNLESS OTHERWISE SPECIFIED DIMENSIONS ARE IN INCHES  
TOLERANCES ARE:  
FRACTIONS DECIMALS ANGLES  
±1/32 .X ±.050 ±0° 30'  
.XX ±.031  
.XXX±.020